

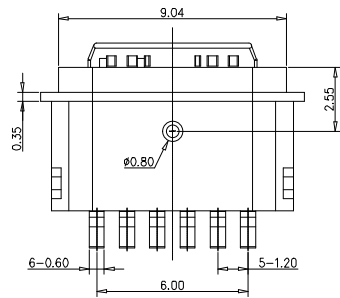
备注(NOTE):

1. 电气特性:

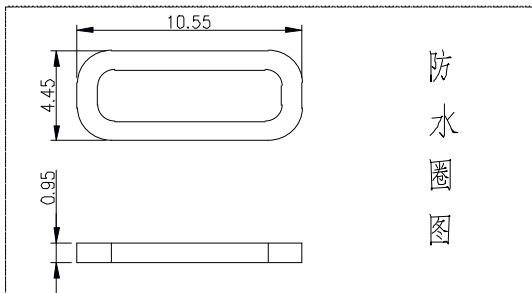
- 1.1. 接触区: 接触电阻40mΩ Max, 允许10mΩ变化量. 测试条件: 20mv, 100mA 下测量.
- 1.2. 接触电流: 3A VBUS引脚; 1.25A用于GND引脚; 其他引脚为0.25A.
- 1.3. 额定电压: 5V.
- 1.4. 耐电电压: 100VAC.
- 1.5. 绝缘电阻: 至少100兆欧.

2. 机械性能:

- 3.1. 插入力: 0.5-2.0Kg
- 3.2. 拔出力: 0.6-2.04Kg
- 3.3. 插拔次数: 10000次
- 4. 工作环境: -20℃ to +85℃.



RECOMMEND P.C.B LAYOUT (COMPONENT SIDE)
TOLERANCE FOR PCB LAYOUT IS ±0.05

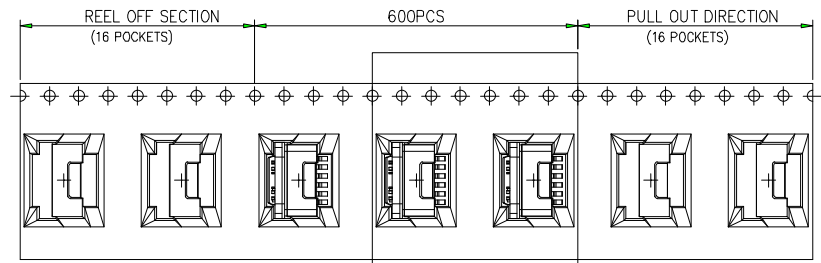


USB TYPE C PIN ASSIGNMENTS

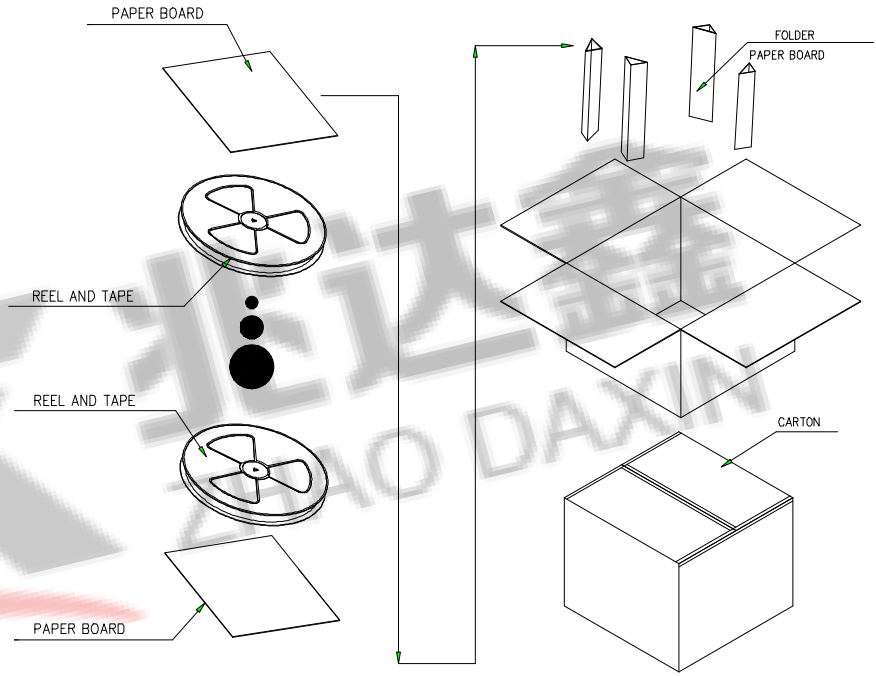
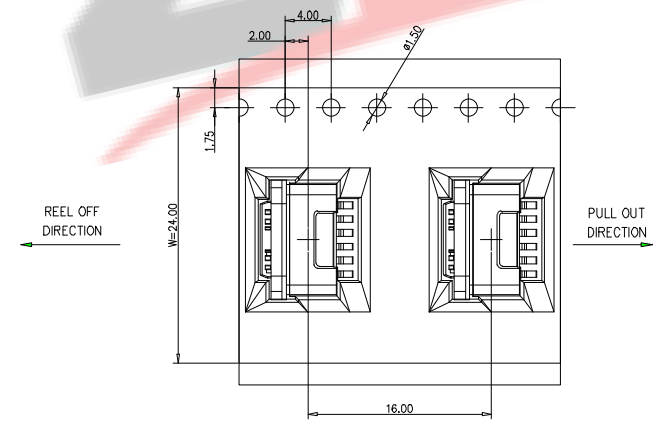
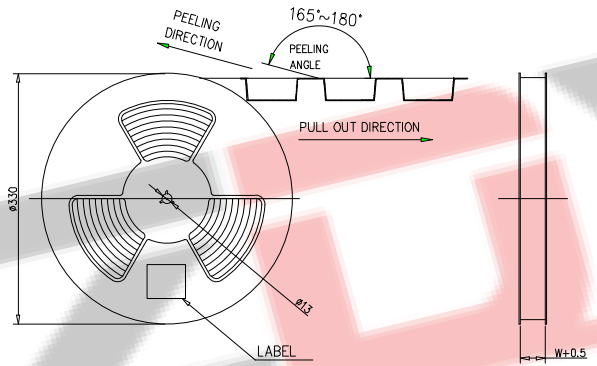
PIN NUMBER	SIGNAL NAME	PIN NUMBER	SIGNAL NAME
		B12	GND
		B9	VBUS
A5	CC1		
		B5	CC2
A9	VBUS		
A12	GND		

东莞市溪榜电子有限公司
DONG GUAN XIBANG ELECTRONICS CO., LTD.

TOLERANCE: X.XX ±0.30 X.XXX ±0.20 X.XXX ±0.10 X.X ±10° X.X ±5°	DRAWN BY :	DATE :	PART NAME:	
			2015.08.18	TYPE-C 6P防水卧式贴片L6.65
UNIT: mm [inch] SCALE: 1:1 SIZE: A4	CHECKED BY :	DATE :	PART NO.	SEE TABLE
		2015.08.18	MOLD NO.	
	APPROVED BY :	DATE :	DRAW NO.	
		2015.08.18	SHEET NO.	1 OF 1



SEE DETAIL X



	REEL	CARTON
CONNECTOR (PCS)	700	7000

ZDX 深圳市兆达鑫科技有限公司
Shenzhen Zhao Xin Technology Co., Ltd.

TOLERANCE: X.X ±0.30 X.XX ±0.20 X.XXX ±0.10 X.XX ±0.10 X.X ±0.05 X.X ±0.05	DRAWN BY : 刘志强	DATE : 2015.08.18	PART NAME: 包装图	
	CHECKED BY: 李毅	DATE : 2015.08.18	PART NO.	SEE TABLE
UNIT: mm [inch] SCALE:1:1 SIZE: A4	APPROVED BY: 张少辉	DATE : 2015.08.18	MOLD NO.	
			DRAW NO.	
			SHEET NO.	1 OF 1