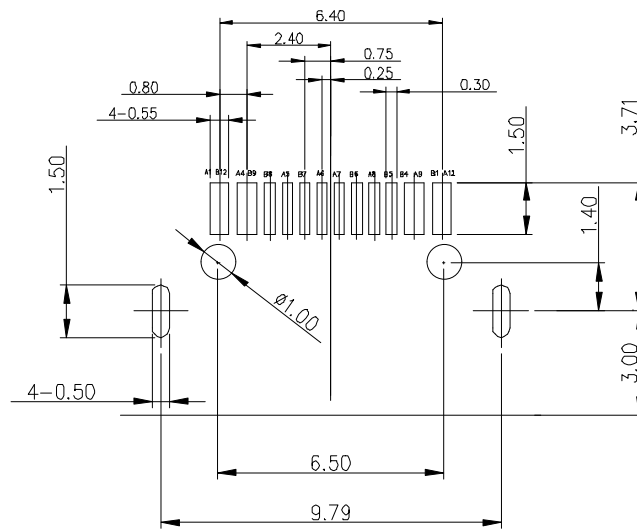
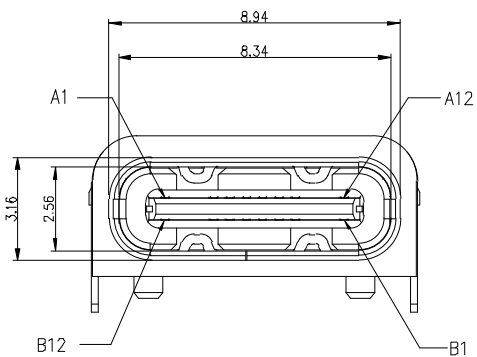
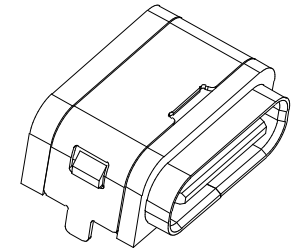


带硅胶圈图示



RECOMMENDED P.C.B. LAYOUT  
TOLERANCE UNSPECIFIED  $\pm 0.05\text{mm}$

NOTES:

SPECIFICATION:

1. CURRENT RATING: 3.0 A
2. VOLTAGE RATING: 3.0 V
3. VBUS & GND PINS AND OTHER PINS: 40mΩ/PIN MAX  
SHIELD: 50mΩ/MAX  
LLCR MAX. CHANGE OF ALL PINS: 10Ωm
4. INSULATION RESISTANCE: 100MΩ MIN
5. DIELECTRIC WITHSTAND VOLTAGE, AC 100V FOR 1MIN
6. INSERTION FORCE: 0.5~2.0kgf
7. UNMATING FORCE: 0.8-2.0kgf
8. DURABILITY: 10000 CYCLES
9. OPERATING TEMPERATURE: -35°C~+85°C
10. THE PEAK TEMPERATURE ON THE BOARD SHALL BE MAINTAINED FOR 10 SECONDS AT 260°C
11. WATERPROOF: IP-X7.

东莞市溪榜电子有限公司  
DONG GUAN XIBANG ELECTRONICS CO., LTD.

|   |               |            |   |           |
|---|---------------|------------|---|-----------|
| TOLERANCE:<br>X.XX ±0.30<br>X.XXX ±0.20<br>X.XXX ±0.10<br>X.X ±0.10<br>X.X ±0.05<br>X.X ±0.05 | DRAWN BY :    | DATE :     | PART NAME: TYPE-C16P防水两脚<br>前插后贴全塑L7.45 |           |
|   |               | 2015.08.18 |   |           |
|   | CHECKED BY :  | DATE :     | PART NO.                                | SEE TABLE |
|   |               | 2015.08.18 | MOLD NO.                                |           |
|   | APPROVED BY : | DATE :     | DRAW NO.                                |           |
|   |               | 2015.08.18 | SHEET NO.                               | 1 OF 1    |

UNIT: mm [inch]  
SCALE: 1:1 SIZE: A4