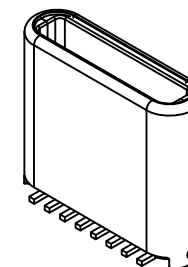
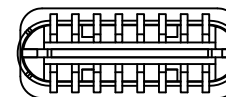
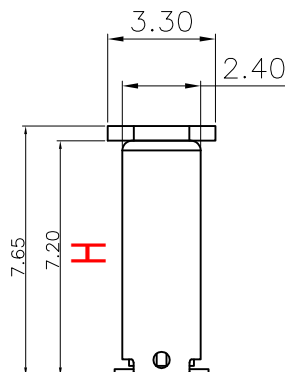
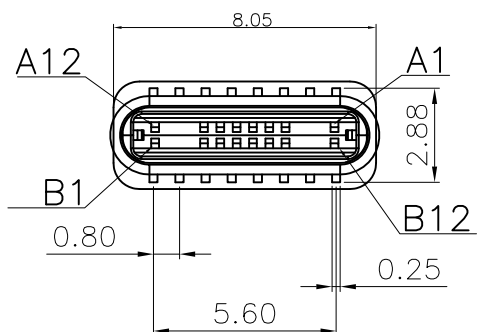
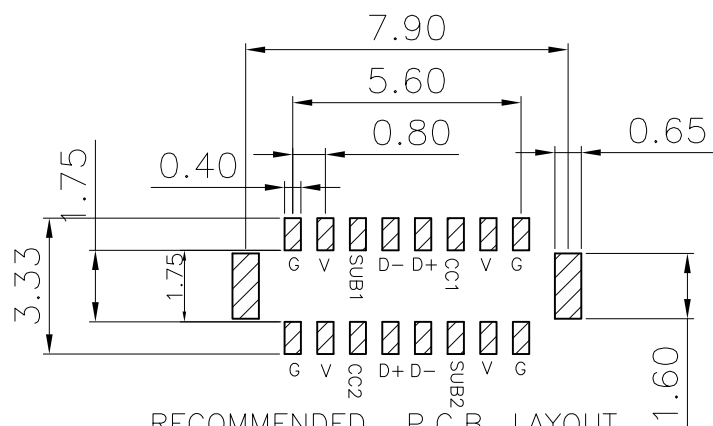
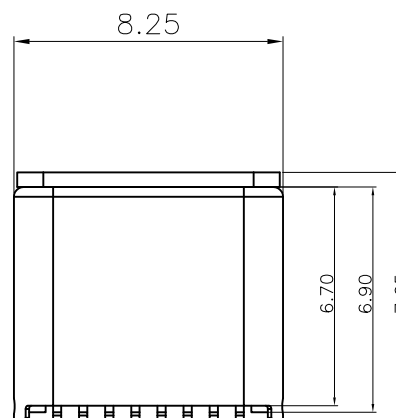


$H = \text{MM}$			
5.70	7.20	8.65	



NOTE :
TC01MA016SX01XR

1. Seletive Plating
- S1:5u" Gold In Contact Area
100u" Tin In Tail Area
 - S2:0.8u" Gold In Contact Area
100u" Tin In Tail Area
 - S3:10u" Gold In Contact Area
100u" Tin In Tail Area
 - S4:15u" Gold In Contact Area
100u" Tin In Tail Area
 - S5:30u" Gold In Contact Area
100u" Tin In Tail Area
 - S9:3u" Gold In Contact Area
100u" Tin In Tail Area



RECOMMENDED P.C.B. LAYOUT
TOLERANCE UNSPECIFIED $\pm 0.05\text{mm}$

东莞市溪榜电子有限公司 DONG GUAN XIBANG ELECTRONICS CO., LTD.			
TOLERANCE: X.XX ± 0.30 X.XXX ± 0.20 X.XXX ± 0.10 X.X ± 0.10 X.X ± 0.05 X.X ± 0.05	DRAWN BY :	DATE :	PART NAME:
			2015.08.18
 UNIT: mm [inch] SCALE:1:1 SIZE: A4	CHECKED BY:	DATE :	PART NO. SEE TABLE
			2015.08.18
	APPROVED BY:	DATE :	DRAW NO.
		2015.08.18	SHEET NO. 1 OF 1