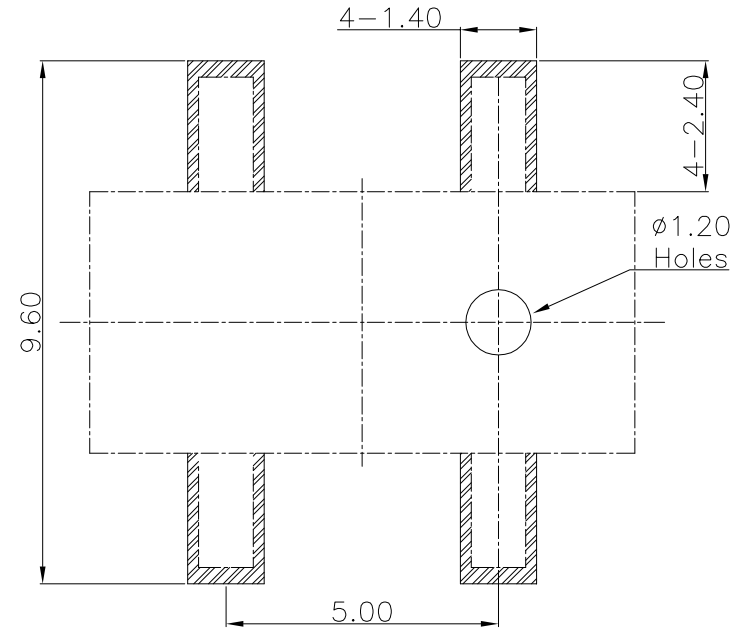
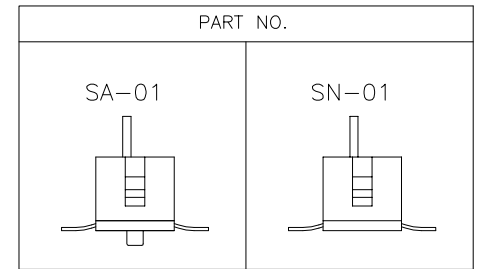
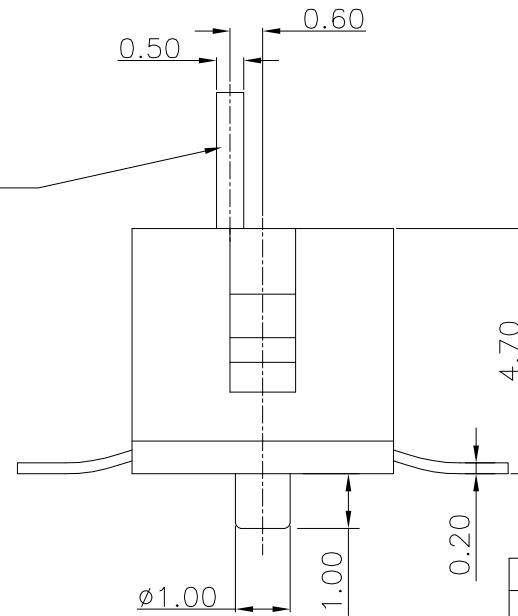
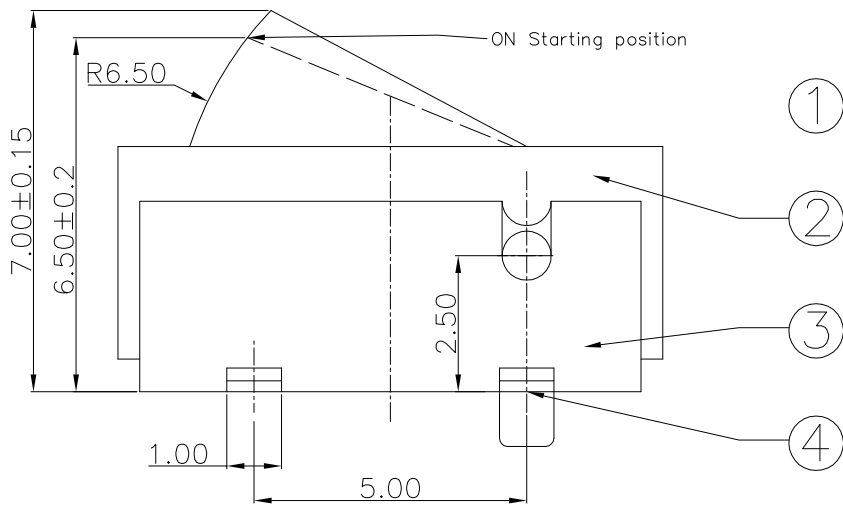


Circuit Diagram



PCB Layout(Pattern side)



NOTE:
 Rating: DC 30V 0.1A
 Operating Force: 30±10gf
 Lifetime: 100,000 Cycles

| ITEM | PART NAME | TER'NO. | QTY. | MATERIAL | FINISHING | REMARK |
|------|----------------|---------|------|----------|-----------|--------|
| ⑤ | Contact Spring | — | 1 | Be Alloy | Ag Plated | — |
| ④ | Terminal | — | 4 | Brass | Ag Plated | — |
| ③ | Housing | — | 1 | PA46 | Black | — |
| ② | Cover | — | 1 | PA46 | Black | — |
| ① | Slider | — | 1 | PA46 | White | — |

| APPROVALS | | DATE | 东莞市溪榜电子有限公司 DONG GUAN XI BANG ELECTRONICS CO., LTD. | | | |
|-----------|------|------------|--|------------------|----------|------------|
| DRAWN | | 2015.08.18 | TITLE: | DETECTOR SWITCHS | | |
| CHECKED | | 2015.08.18 | PART NO. | | | |
| APPROVALS | | 2015.08.18 | TOLERANCES ARE | ANGLE | UNIT: mm | SCALE: 1:1 |
| | | | 30~以上 ±0.30 | ±2' | | |
| | | | 10~30 ±0.20 | | | |
| | | | 5~10 ±0.15 | | | |
| | | | ~ 5 ±0.10 | | | |
| ECN NO. | REV. | DATE. | DESCRIPTION. | CHANGE. | CHECK. | APPRO. |

| ECN NO. | REV. | DATE. | DESCRIPTION. | CHANGE. | CHECK. | APPRO. |
|---------|------|-------|--------------|---------|--------|--------|
| | A | | NEW | | | |