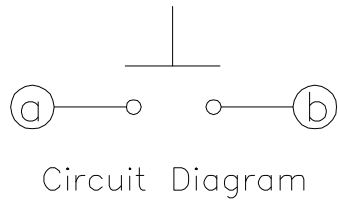
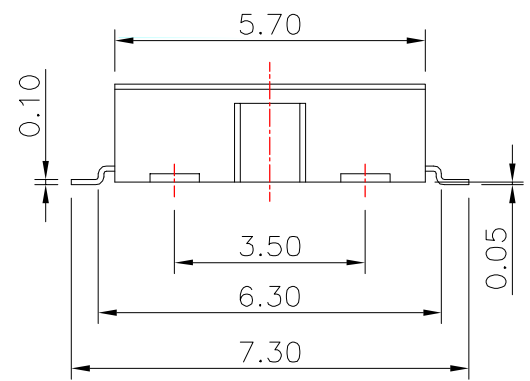


PCB Layout(Pattern side)



NOTE:
 Rating: DC 30V 0.1A
 Operating Force: 20 ± 10 gf
 Lifetime: 50,000 Cycles

⑤	Contact Spring	—	1	Be Alloy	Ag Plated	—
④	Terminal	—	2	Phosphor Bronze	Ag Plated	—
③	Cover	—	1	SUS	Natural	—
②	Housing	—	1	LCP	Black	—
①	Slider	—	1	PA46	Black	—
ITEM	PART NAME	TER'NO.	QTY.	MATERIAL	FINISHING	REMARK

APPROVALS		DATE		东莞市溪榜电子有限公司 DONG GUAN XI BANG ELECTRONICS CO., LTD. DETECTOR SWITCHES		
DRAWN		2015.08.18				
CHECKED		2015.08.18				
APPROVALS		2015.08.18				
				PART NO.		
TOLERANCES ARE		30~以上	±0.30	ANGLE	UNIT: mm	SCALE: 1:1
		10~30	±0.20			
		5~10	±0.15			
		~ 5	±0.10			
		±2'		DRAWING NO.		
				SHEET 1 OF 1		

—	A	—	NEW	—	—	—
ECN NO.	REV.	DATE.	DESCRIPTION.	CHANGE.	CHECK.	APPRO.