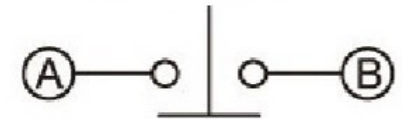
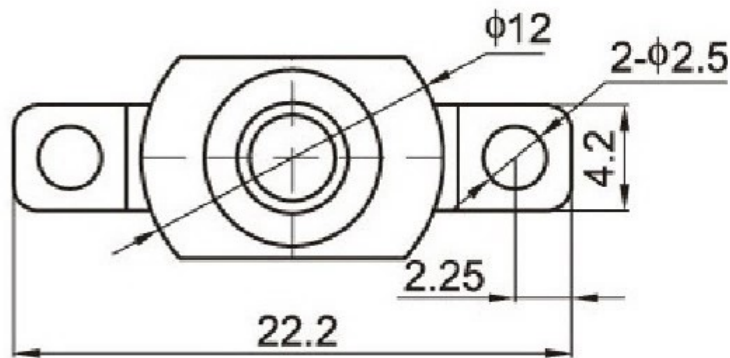


ON-OFF



电路简图

SCHEMATIC (NON-SHORTING)



注：“*”□表示关键尺寸(3个).

				TOLERANCE UNLESS SPECIFIED						
8										
7										
6				WITHIN 1.5mm : ±0.1mm	A	2012-8-13	初版			
5	SPRING	SUS	1	NATURAL	ISSUE	DATE	DESCRIPTIONS OF REVISION		APPD.	
4	CAM STICK	SUS	1	NATURAL	TITLE : VERTICAL PUSH SWITCH		UNIT : mm	DRWG NO.:		
3	CASE	PA66/BRASS STRIP	1	GREY/Ag PLATED	MODEL:		SCALE: 5:1	DWN.	2012-8-13	
2	COVER	PA66	1	BLACK	东莞市溪榜电子有限公司		APPD.		2012-8-13	
1	KNOB	PA66/PBS C5210R-EH	1	WHITE/Ag CLAD			CHK'D			
NO.	PARTS	MATERIALS	Q'TY					APPD.		