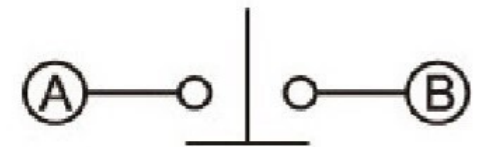
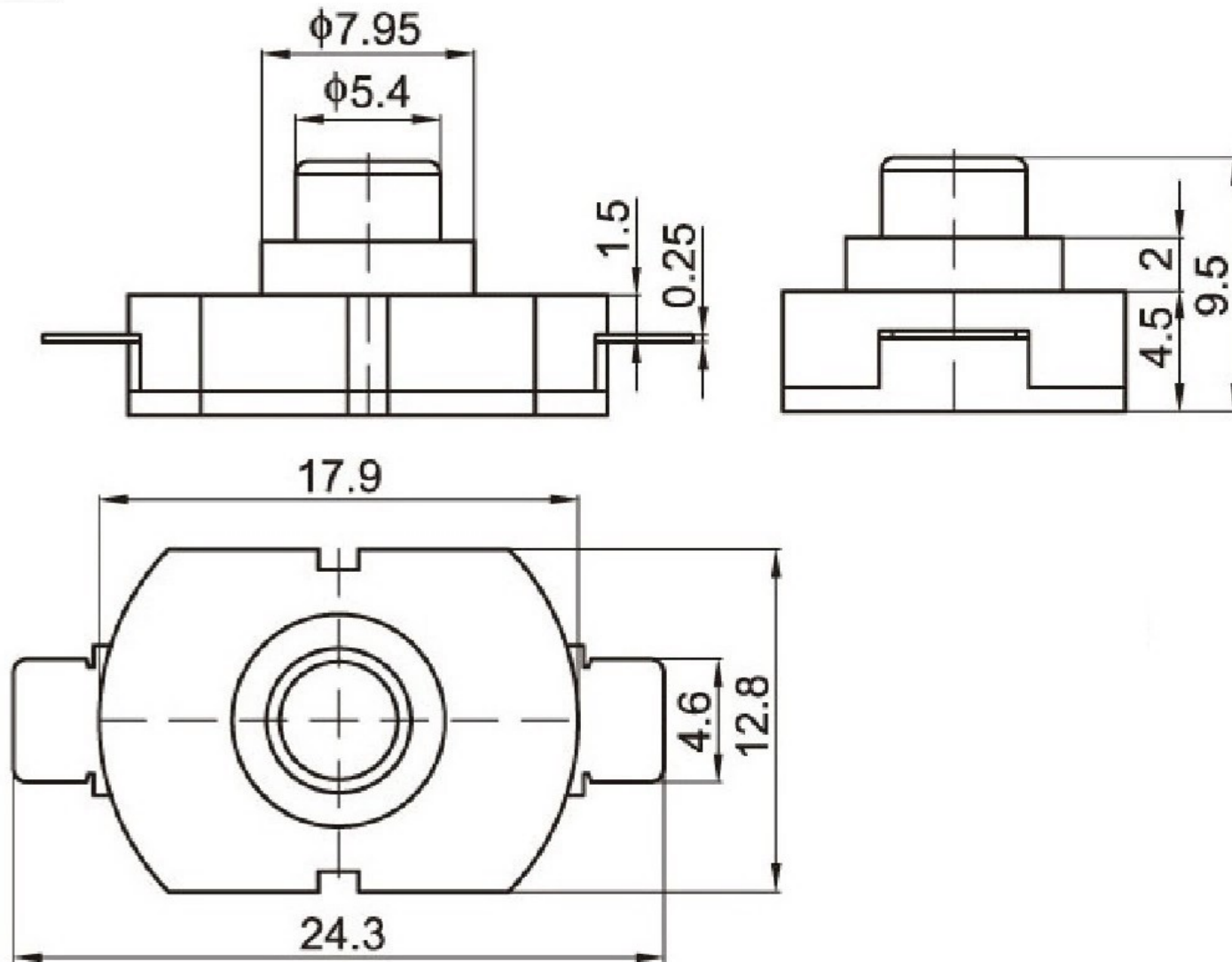


ON-OFF



电路简图



注：“*”□表示关键尺寸(3个).

				TOLERANCE					
				UNLESS SPECIFIED					
				WITHIN 1.5mm : ±0.1mm	A	2012-8-13	初版		
				OVER 1.5mm : ±0.2mm	ISSUE	DATE	DESCRIPTIONS OF REVISION		APPD.
8				TITLE : VERTICAL PUSH SWITCH			UNIT : mm	DRWG NO.:	
7				MODEL:			SCALE: 5:1	DWN.	2012-8-13
6				东莞市溪榜电子有限公司			CHK'D		2012-8-13
5	SPRING	SUS	1 NATURAL				APPD.		
4	CAM STICK	SUS	1 NATURAL						
3	CASE	PA66/BRASS STRIP	1 GREY/Ag PLATED						
2	COVER	PA66	1 BLACK						
1	KNOB	PA66/PBS C5210R-EH	1 WHITE/Ag CLAD						
NO.	PARTS	MATERIALS	Q'TY						