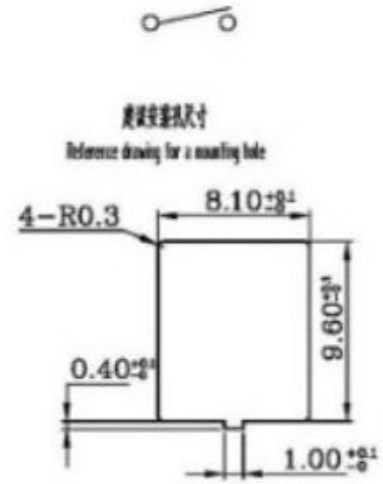
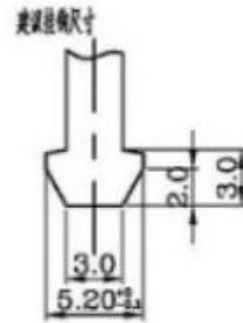
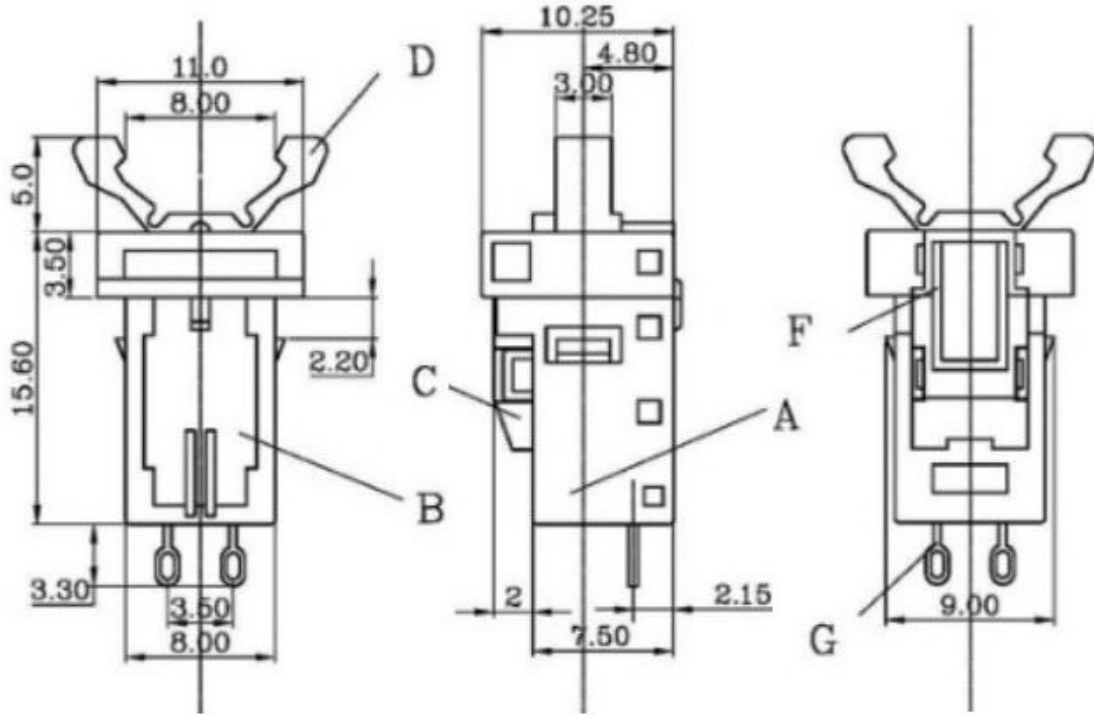


| SYMB | REVISION | DATE | APVD. |
|------|----------|------|-------|
| | | | |
| | | | |
| | | | |



主要技术规格:

寿命次数: 50000次
 按力: 400-600gf
 接触电阻: ~30mΩ
 温度范围: -25~+85℃
 额定负荷: DC 12V 0.1A
 耐压: AC 250V (50Hz) /min
 绝缘电阻: ≥100MΩ
 承受最大拉力: 1000gf

| 产品构造 | | | 外型 |
|------|-----|-------|----|
| A | 外壳 | PA66 | |
| B | 盖板 | PBT | |
| C | 压簧片 | PCM | |
| D | 推轴 | PA6 | |
| E | 接触簧 | 磷铜镀银 | |
| F | 钩针 | 钢丝 | |
| G | 接脚 | 黄铜镀银 | |
| H | 弹簧 | T9A镀镍 | |

| TITLE | DOOR LATCH SWITCH | DRAWN | TOLERANCE OTHERWISE UNLESS SPECIFIED | 8 | | | | |
|------------|-------------------|----------|--------------------------------------|------|-----|---------|----------|----------------|
| PART NO. | | CHECKED | UP TO 5 | ±0.2 | 7 | | | |
| DRAW NO. | DL1 | APPROVED | ABOVE 5 ~ 30 | ±0.3 | 6 | | | |
| SCALE: 2:1 | UNIT: mm | DATE: | ABOVE 30 ~ 50 | ±0.4 | 5 | | | |
| | | | ABOVE 50 | ±0.5 | 4 | | | |
| | | | ANGLE | ±3' | 3 | SPRING | SUS | 1 NI PLATED |
| | | | | | 2 | HOUSING | POM | 1 BLACK |
| | | | | | 1 | SLIDER | PA12 | 1 BLACK |
| | | | | | NO. | PARTS | MATERIAL | QTY. FINISHING |

東莞市溪榜電子有限公司
 Dongguan Xi Bang Electronic Co., Ltd