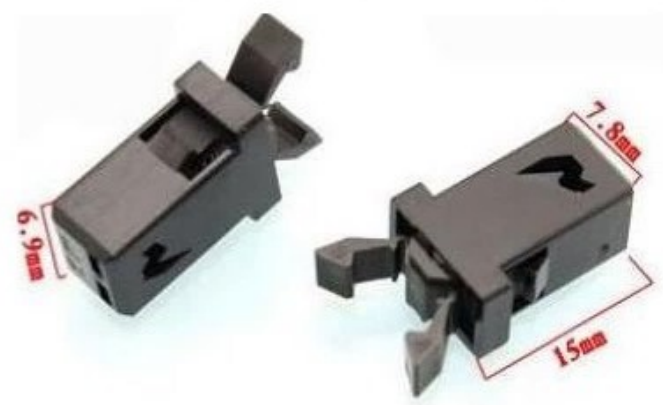
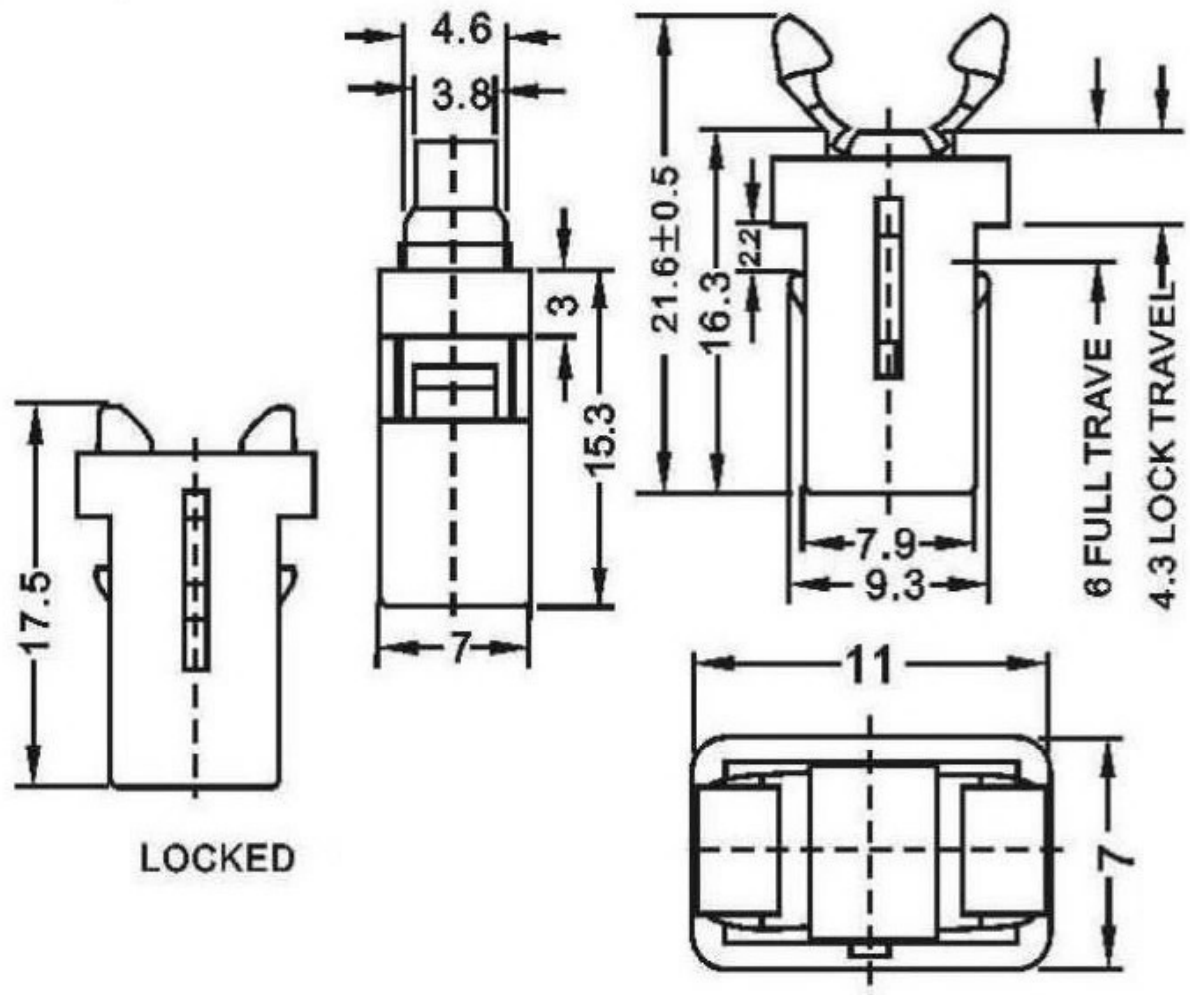


SYMB	REVISION	DATE	APVD.



注(1)处为自由尺寸。(FREE)
 注(2)处为锁态尺寸。(LOCK)
 注(3)处为锁态至开态之过渡尺寸。(PUSH)

Specification

Operating Force: 450±30gf

TITLE	DOOR LATCH SWITCH	DRAWN	TOLERANCE OTHERWISE UNLESS SPECIFIED	8				
PART NO.		CHECKED	UP TO 5	±0.2	6			
DRAW NO.	DL1	APPROVED	ABOVE 5 ~ 30	±0.3	5			
SCALE: 2:1	UNIT: mm	DATE:	ABOVE 30 ~ 50	±0.4	4			
			ABOVE 50	±0.5	3	SPRING	SUS	1 NI PLATED
			ANGLE	±3'	2	HOUSING	POM	1 BLACK
东莞市溪榜电子有限公司 Dongguan Xi Bang Electronic Co., Ltd					1	SLIDER	PA12	1 BLACK
			NO.	PARTS	MATERIAL	QTY.	FINISHING	