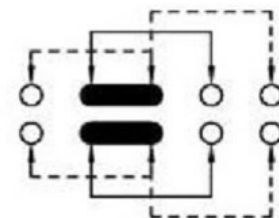


CAD FILE:

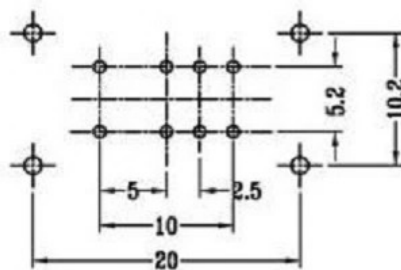
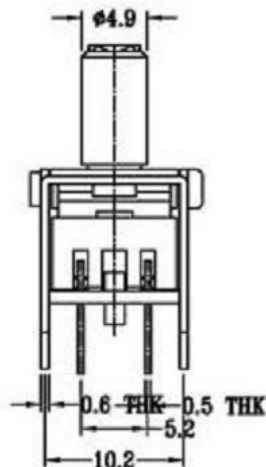
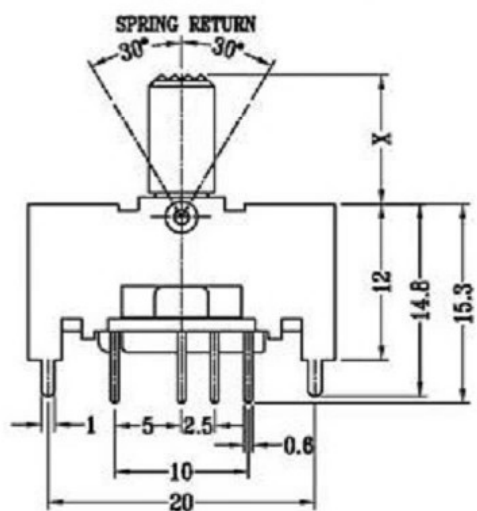
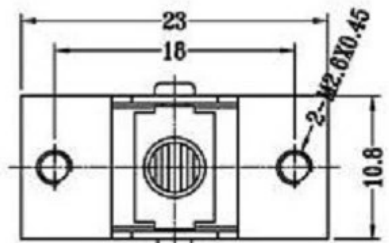
所有物质均符合环保要求

东莞市溪榜电子有限公司

受控文件



SCHEMATIC (SHORTING)



P.C.B LAYOUT

手柄X位置, 与操作力按照用户需求定制!

NO.	PARTS	MATERIALS	Q'TY	FINISH	TOLERANCE UNLESS SPECIFIED		DESCRIPTIONS OF REVISION		APPD.
8					WITHIN	A	2010-01-02	初版	
7	STEEL BALL	STEEL	2	NATURAL	OVER	ISSUE	DATE		
6	SPRING	STEEL WIRE	1	NATURAL	TITLE : SLIDE SWITCH				
5	CONTACT CLIP	PBS STRIP	2	Ag PLATED	MODEL:		UNIT : mm	DWG NO.:	
4	TERMINAL	BRASS STRIP	8	Ag PLATED			SCALE: 2:1	LWN.	2010-01-02
3	BASE	PHENOLIC RESIN	1	NATURAL	Dongguan XiBang Electronic Co., Ltd				
2	FRAME	STEEL STRIP	1	Ni PLATED				CHK'D	2010-01-02
1	KNOB	POM	1	BLACK				APPD.	



东莞市溪榜电子有限公司
Dongguan XiBang Electronic Co., Ltd