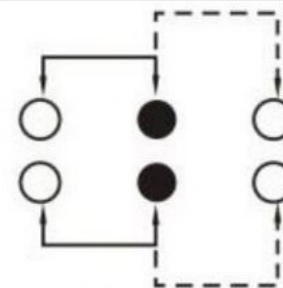


CAD FILE:

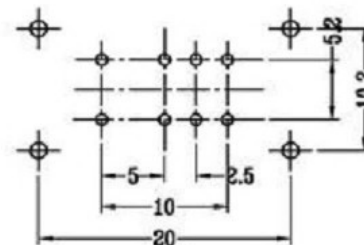
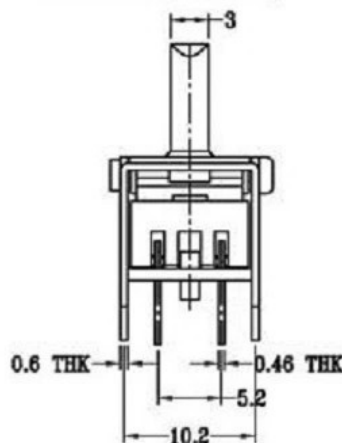
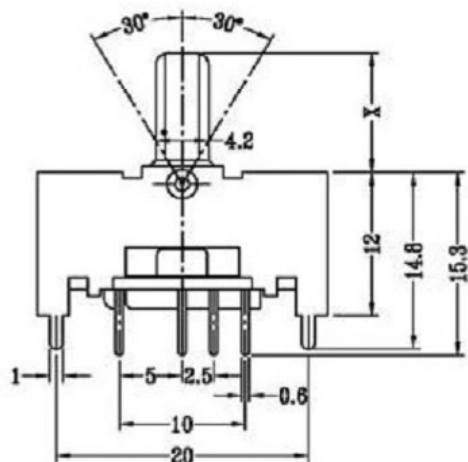
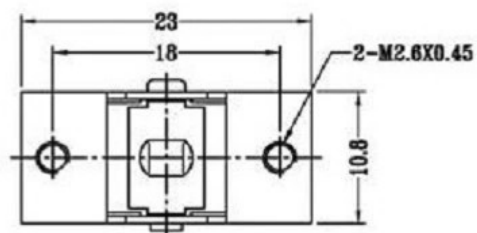
所有物质均符合环保要求

东莞市溪榜电子有限公司

受控文件



SCHEMATIC (SHORTING)



P.C.B. LAYOUT

手柄X位置, 与操作力按照用户需求定制!

| NO. | PARTS        | MATERIALS      | Q'TY | FINISH    | TOLERANCE<br>UNLESS SPECIFIED  | ISSUE | DATE       | DESCRIPTIONS OF REVISION | APPD.      |
|-----|--------------|----------------|------|-----------|--|-------|------------|--------------------------|------------|
| 8   |              |                |      |           |  |       |            |                          |            |
| 7   | STEEL BALL   | STEEL          | 2    | NATURAL   |  |       |            |                          |            |
| 6   | SPRING       | STEEL WIRE     | 1    | NATURAL   |  | A     | 2010-01-02 | 初版                       |            |
| 5   | CONTACT CLIP | PBS STRIP      | 2    | Ag PLATED | WITHIN   |       |            |                          |            |
| 4   | TERMINAL     | BRASS STRIP    | 8    | Ag PLATED | OVER   |       |            |                          |            |
| 3   | BASE         | PHENOLIC RESIN | 1    | NATURAL   | TITLE : SLIDE SWITCH   |       |            | UNIT : mm                | DFWG NO.:  |
| 2   | FRAME        | STEEL STRIP    | 1    | Ni PLATED | MODEL:   |       |            | SCALE: 2:1               |            |
| 1   | KNOB         | POM            | 1    | BLACK     |  东莞市溪榜电子有限公司<br>Dongguan XiBang Electronic Co., Ltd |       |            | LWN.                     | 2010-01-02 |
|     |              |                |      |           |  |       |            | CHK'D                    |            |
|     |              |                |      |           |  |       |            | APPD.                    |            |