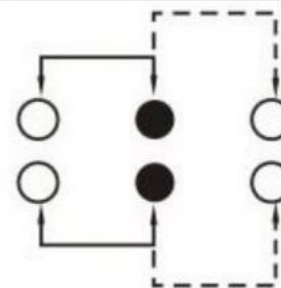


CAD FILE:

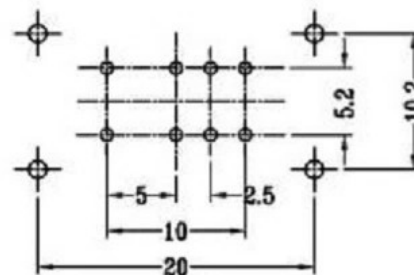
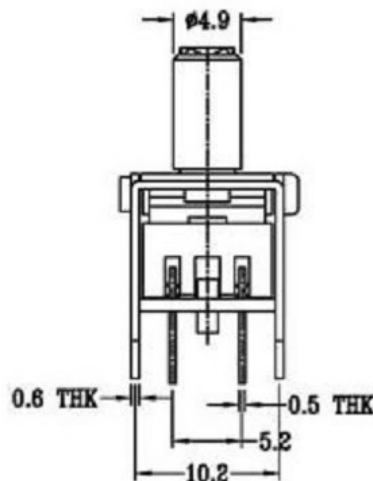
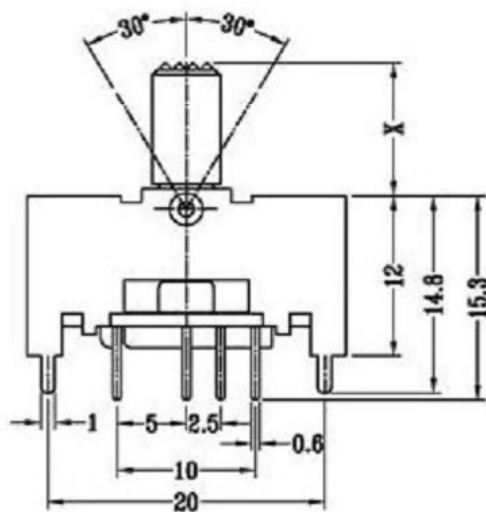
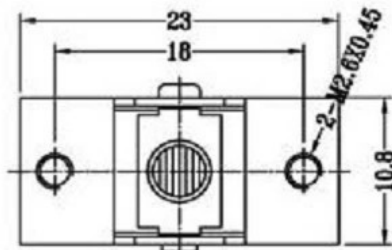
所有物质均符合环保要求

东莞市溪榜电子有限公司

受控文件




SCHEMATIC (SHORTING)



P.C.B LAYOUT

手柄X位置, 与操作力按照用户需求定制!

NO.	PARTS	MATERIALS	Q'TY	FINISH	TOLERANCE UNLESS SPECIFIED	ISSUE	DATE	DESCRIPTIONS OF REVISION	APPD.
8									
7	STEEL BALL	STEEL	2	NATURAL					
6	SPRING	STEEL WIRE	1	NATURAL		A	2010-01-02	初版	
5	CONTACT CLIP	PBS STRIP	2	Ag PLATED	WITHIN	ISSUE	DATE	DESCRIPTIONS OF REVISION	APPD.
4	TERMINAL	BRASS STRIP	8	Ag PLATED	OVER				
3	BASE	PHENOLIC RESIN	1	NATURAL	TITLE : SLIDE SWITCH			UNIT : mm	DFWG NO.:
2	FRAME	STEEL STRIP	1	Ni PLATED	MODEL :			SCALE : 2:1	
1	KNOB	POM	1	BLACK	 东莞市溪榜电子有限公司 Dongguan XiBang Electronic Co., Ltd			LWN.	2010-01-02
								CHK'D	
								APPD.	