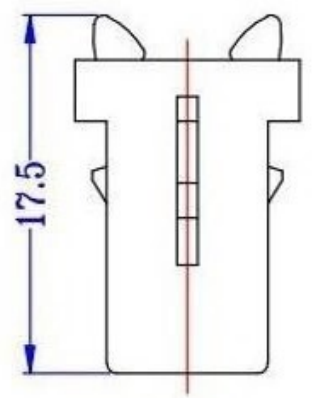
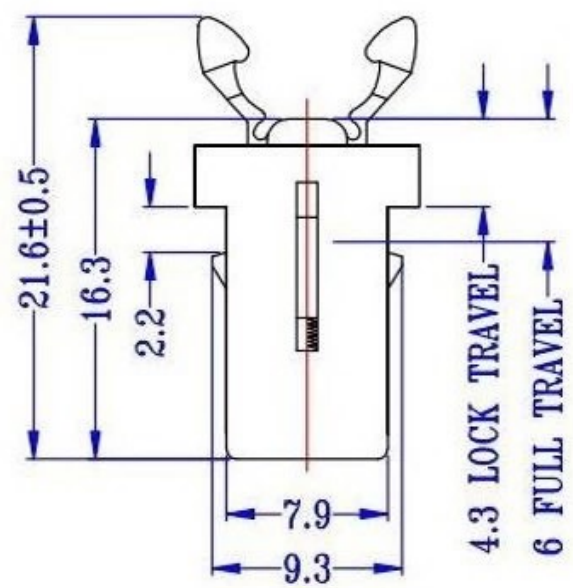
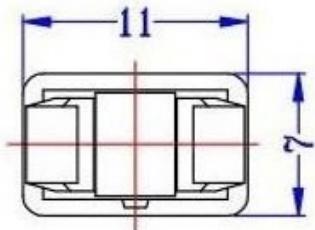


REVISION A RoHS

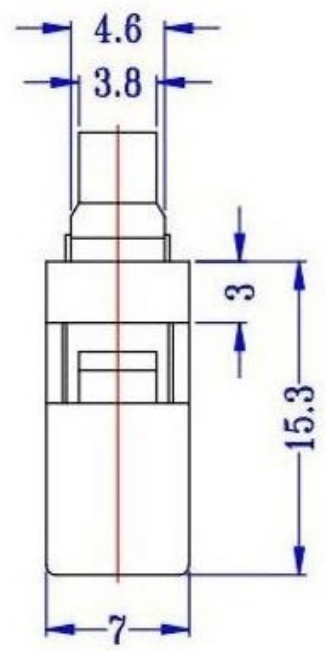
SYMB	REVISION	DATE	APVD.



LOCKED



4.3 LOCK TRAVEL
6 FULL TRAVEL



TITLE	DOOR LATCH SWITCH	DRAWN		TOLERANCE OTHERWISE UNLESS SPECIFIED	8			
PART NO.		CHECKED		UP TO 5	±0.2	7		
DRAW NO.	DL1	APPROVED		ABOVE 5 ~ 30	±0.3	6		
SCALE: 2:1	UNIT: mm	DATE:		ABOVE 30 ~ 50	±0.4	5		
				ABOVE 50	±0.5	4		
				ANGLE	±3'	3	SPRING	SUS
						2	HOUSING	POM
						1	SLIDER	PA12
						1		BLACK
						1		BLACK
						NO.	PARTS	MATERIAL
							QTY.	FINISHING

 东莞市溪榜电子有限公司