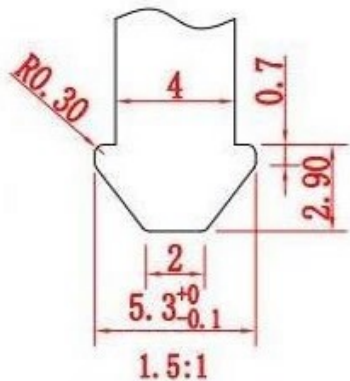
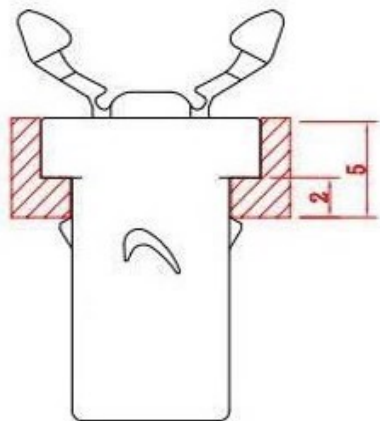
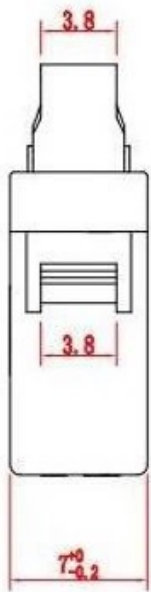
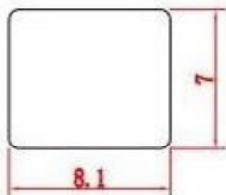
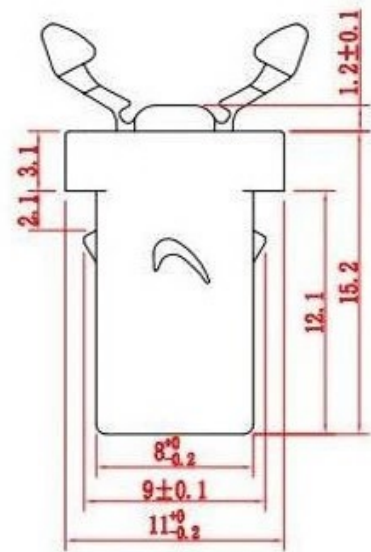


REVISION A RoHS

SYMB	REVISION	DATE	APVD.



锁舌参考规格



安装孔参考规格

TITLE	DOOR LATCH SWITCH	DRAWN		TOLERANCE OTHERWISE UNLESS SPECIFIED	8					
PART NO.		CHECKED		UP TO 5	±0.2	7				
DRAW NO.	DL1	APPROVED		ABOVE 5 ~ 30	±0.3	6				
SCALE: 2:1	UNIT: mm	DATE:		ABOVE 30 ~ 50	±0.4	5				
				ABOVE 50	±0.5	4				
				ANGLE	±3'	3	SPRING	SUS	1	NI PLATED
						2	HOUSING	POM	1	BLACK
						1	SLIDER	PA12	1	BLACK
				NO.	PARTS	MATERIAL	QTY.	FINISHING		