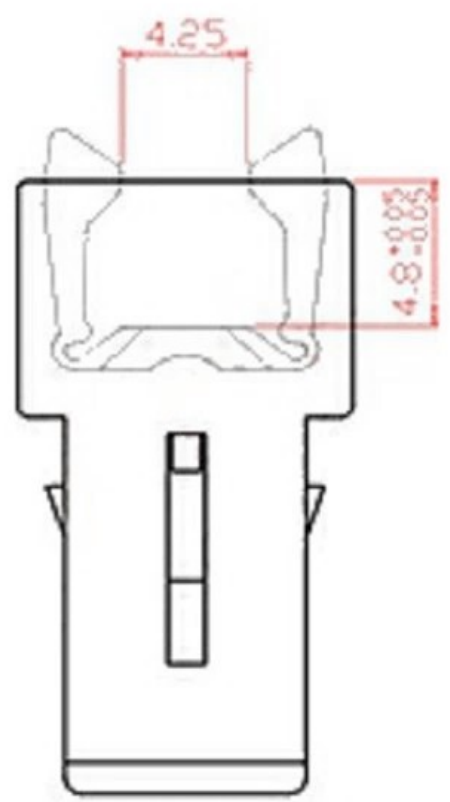
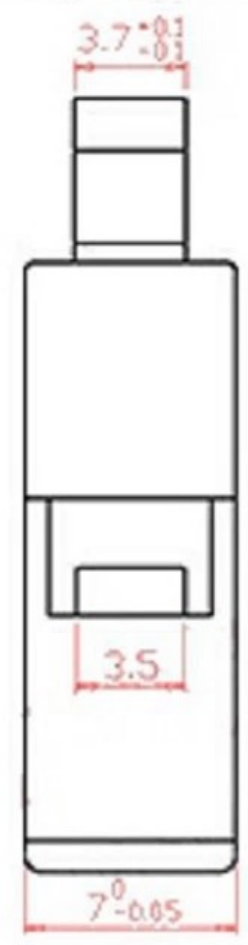
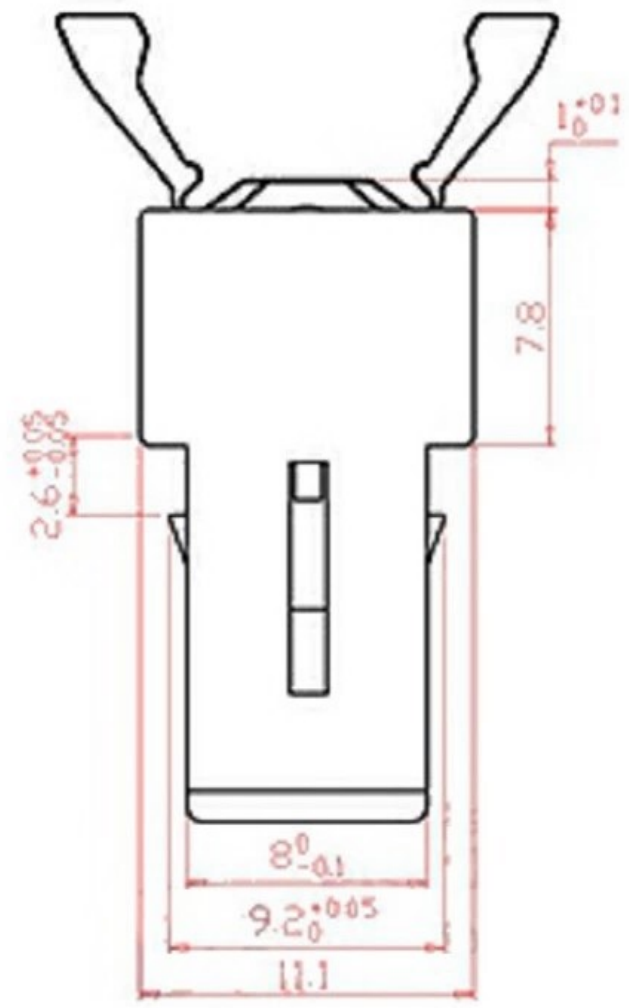



SYMB	REVISION	DATE	APVD.



锁止行程: 7.2mm



TITLE	DOOR LATCH SWITCH	DRAWN		TOLERANCE OTHERWISE UNLESS SPECIFIED	8				
PART NO.		CHECKED		UP TO 5	±0.2	7			
DRAW NO.	DL1	APPROVED		ABOVE 5 ~ 30	±0.3	6			
SCALE: 2:1	UNIT: mm	DATE:		ABOVE 30 ~ 50	±0.4	5			
				ABOVE 50	±0.5	4			
				ANGLE	±3°	3	SPRING	SUS	1 NI PLATED
 东莞市溪榜电子有限公司						2	HOUSING	POM	1 BLACK
						1	SLIDER	PA12	1 BLACK
				NO.	PARTS	MATERIAL	QTY.	FINISHING	