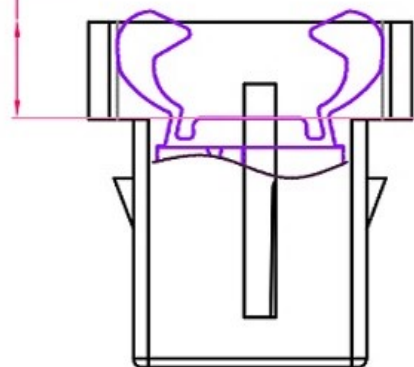
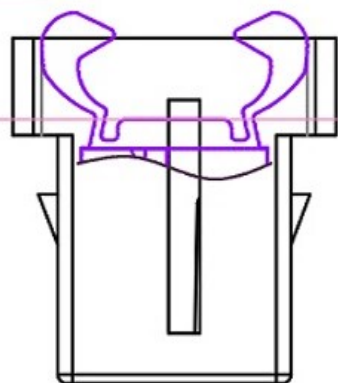


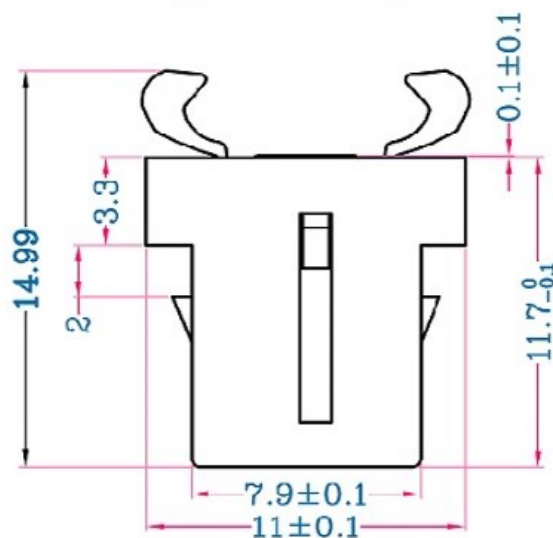
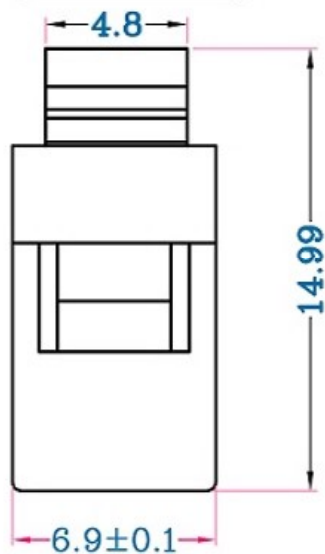
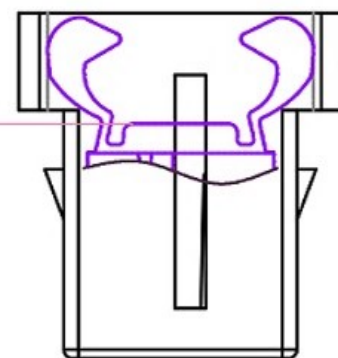
下压约3.6mm达到锁定行程



回弹约1.0mm呈锁定状态



继续下压约1.0mm达到开锁行程



TITLE	DOOR LATCH SWITCH	DRAWN	TOLERANCE OTHERWISE UNLESS SPECIFIED	8				
PART NO.		CHECKED	UP TO 5	±0.2	7			
DRAW NO.	DL1	APPROVED	ABOVE 5 ~ 30	±0.3	6			
SCALE: 2:1	UNIT: mm	DATE:	ABOVE 30 ~ 50	±0.4	5			
			ABOVE 50	±0.5	4			
			ANGLE	±3'	3	SPRING	SUS	1 NI PLATED
					2	HOUSING	POM	1 BLACK
					1	SLIDER	PA12	1 BLACK
						NO. PARTS	MATERIAL	QTY. FINISHING