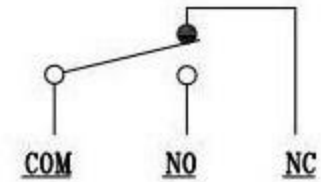
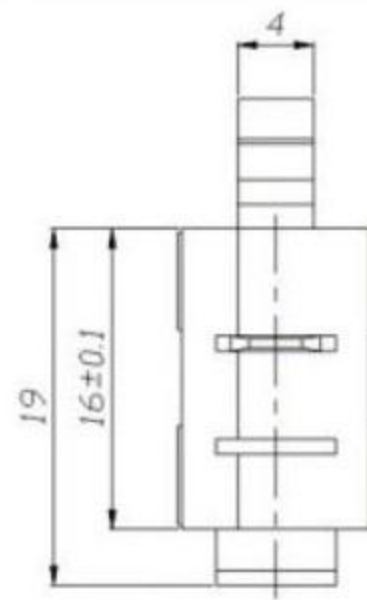
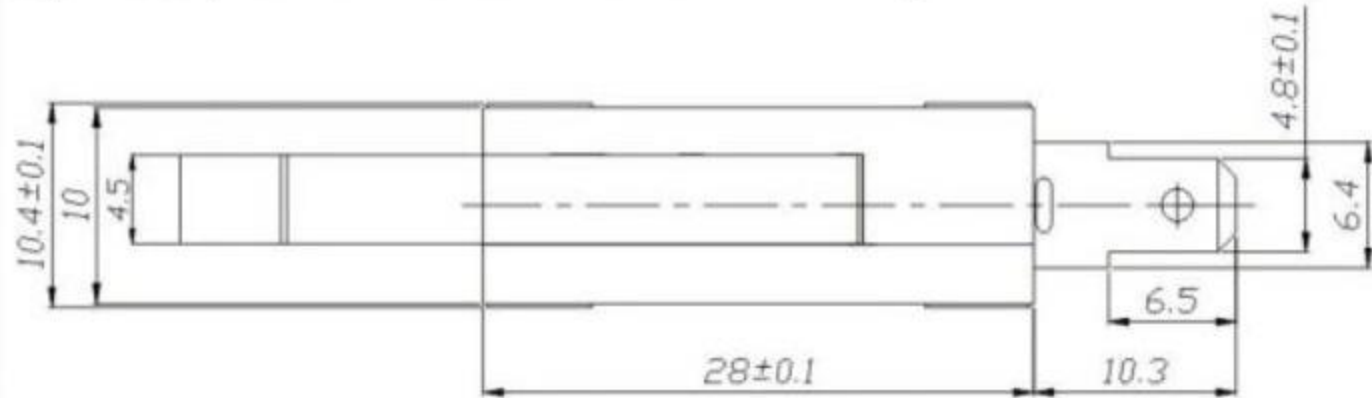
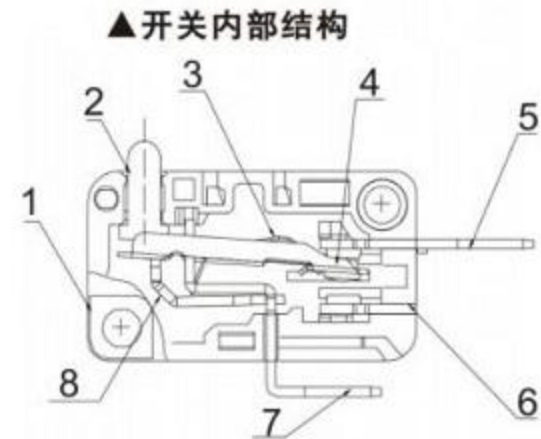
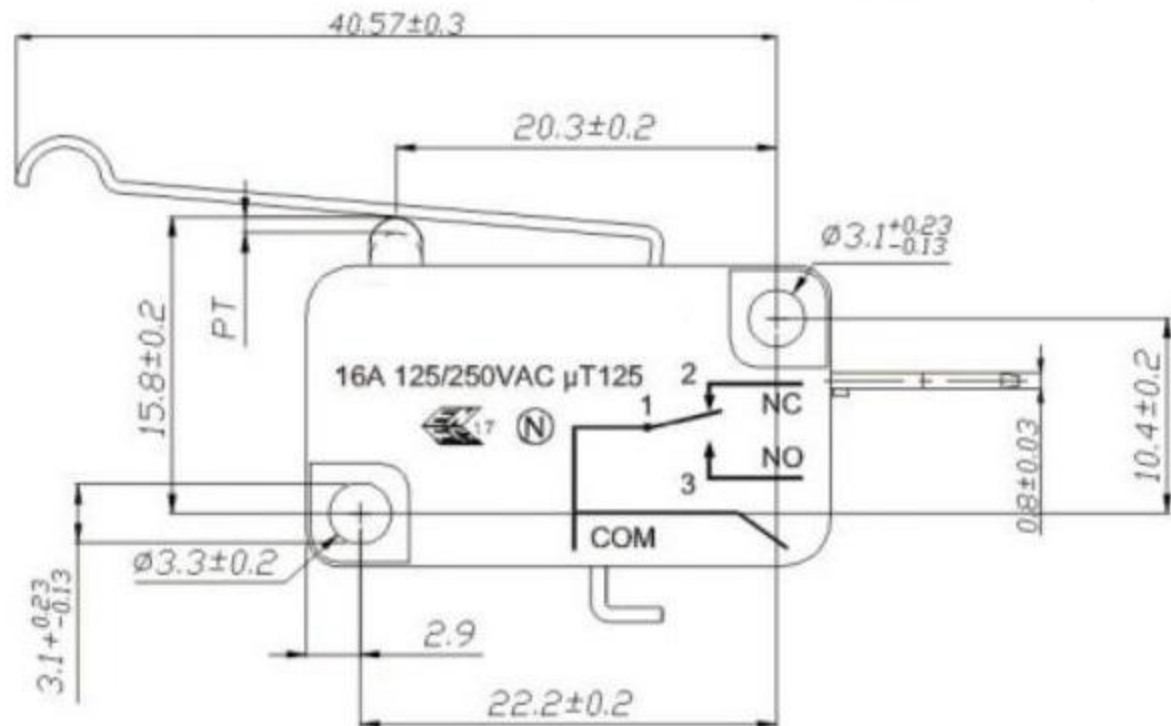


CAD FILE:



SCHEMATIC (NON-SHORTING)



▲开关内部结构

額定電流、電壓 RATING

16A 250VAC μ 1E4 T85  
12A 250VAC/15A 125VAC

接觸電阻 CONTACT RESISTANCE

≤ 20mΩ

絕緣電阻 INSULATION RESISTANCE

≥ 100MΩ

介電強度 DIELECTRIC INTENSITY

≥ 1250VAC/3S

電器壽命 ELECTRICAL LIFE

≥ 10,000 Cycles

NO.	PARTS	MATERIALS	Q'TY	FINISH	TOLERANCE UNLESS SPECIFIED	ISSUE	DATE	DESCRIPTIONS OF REVISION	APPD.	
7	PLASTIC HANDLE	PA66	1	BLACK						
6	CONTACT	AG	1	NATURAL	WITHIN 1.5mm : ±0.1mm	A		初版		
5	SHRAPNEL	PBS	1	NATURAL	OVER 1.5mm : ±0.2mm					
4	KNOB	PA9T	1	BLACK						
3	COVER	PA66	1	BLACK						
2	BASE	PA9T	1	BLACK						
1	TERMINAL	BRASS STRIP	3	Ag PLATED						
					TITLE : MICRO SWITCH			UNIT : mm	DRWG NO.:	
					MODEL:			SCALE: 3:1		
					东莞市溪榜电子有限公司			DWN.	刘工	2008.6.8
								CHK'D	戴海明	2008.6.8
								APPD.	林小姐	2008.6.8