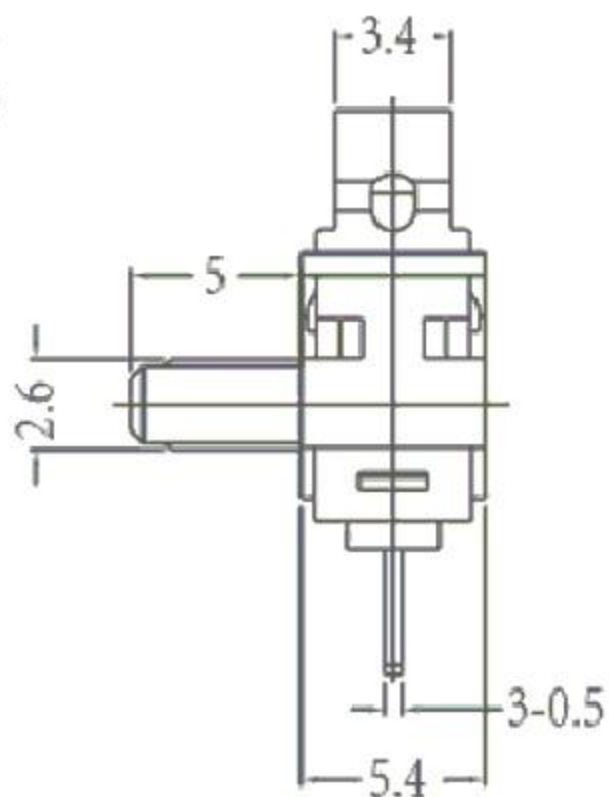
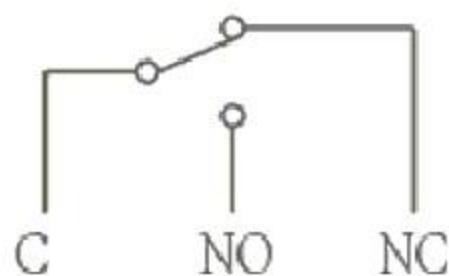


电路简图



开关技术特性(Switch technical Characteristics):

项目 (ITEM)	技术参数 (technical parameter)	特性值 (Value)	
1	电气额定值 (Electrical Rating)	10(1.5)A/16(3)A/10(3)A 250VAC	
2	接触电阻 (Contact Resistance)	≤50mΩ (初始值 Initial value)	
3	绝缘电阻 (Insulation Resistance)	≥100MΩ (500VDC)	
4	耐压强度 (Dielectric Voltage)	同极不相接端子间 (between non-connected terminals)	1500V/0.5mA/60S
		端子与外壳或非载流金属零件之间 (between terminals and the metal frame)	3000V/0.5mA/60S
5	电气寿命 (Electrical Life)	≥10000 cycles	
6	机械寿命 (Mechanical Life)	≥100000 cycles	
7	工作温度 (Operating Temperature)	0~125℃	
8	操作频率 (Operating Frequency)	电气 (electrical) :15 cycles 机械 (Mechanical) :60 cycles	
9	抗振动 (Vibration Proof)	振动频率 (Vibration Frequency) : 10~55HZ; 振幅 (Amplitude) : 1.5mm; 三向 (Three directions) :1H	
10	可焊性 (Solder Ability): 超过 80%的浸锡面积被焊料所覆盖 (More than 80% of immersed part shall be covered with solder)	焊接温度 (Soldering Temperature): 235±5℃ 浸渍时间 (Immersing Time): 2~3S	
11	耐焊接热 (Solder Heat Resistance)	自动焊接 (Dip Soldering) : 260±5℃ 5±1S 手工焊接 (Manual Soldering) : 300±5℃ 2~3S	
12	安全认证 (Safety Approvals)	UL、CSA、VDE、ENEC、TUV、CE、CQC	
13	测试条件 (Test Conditions)	环境温度 (Ambient Temperature) : 20±5℃ 相对湿度 (Relative Humidity) : 65±5%RH 大气压 (Air Pressure) : 86~106KPa	

NO.	PARTS	MATERIALS	Q'TY
8			
7			
6			
5	SPRING	SUS	1 NATURAL
4	CAM STICK	SUS	1 NATURAL
3	CASE	PA66/BRASS STRIP	1 GREY/Ag PLATED
2	COVER	PA66	1 BLACK
1	KNOB	PA66/PBS C5210R-EH	1 WHITE/Ag CLAD

TOLERANCE UNLESS SPECIFIED					
WITHIN 1.5mm : ±0.1mm	A	2012-8-13	初版		
OVER 1.5mm : ±0.2mm	ISSUE	DATE	DESCRIPTIONS OF REVISION		
TITLE : Micro Switch		UNIT : mm	DRWG NO.:		
MODEL:		SCALE: 5:1	DWN.	2012-8-13	
东莞市溪榜电子有限公司		CHK'D	2012-8-13		
		APPD.			