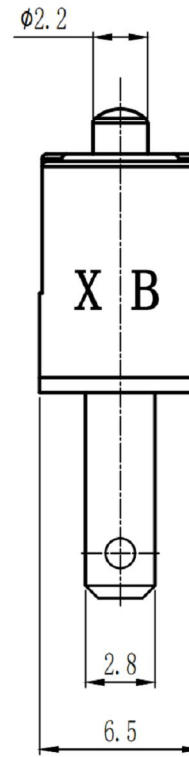
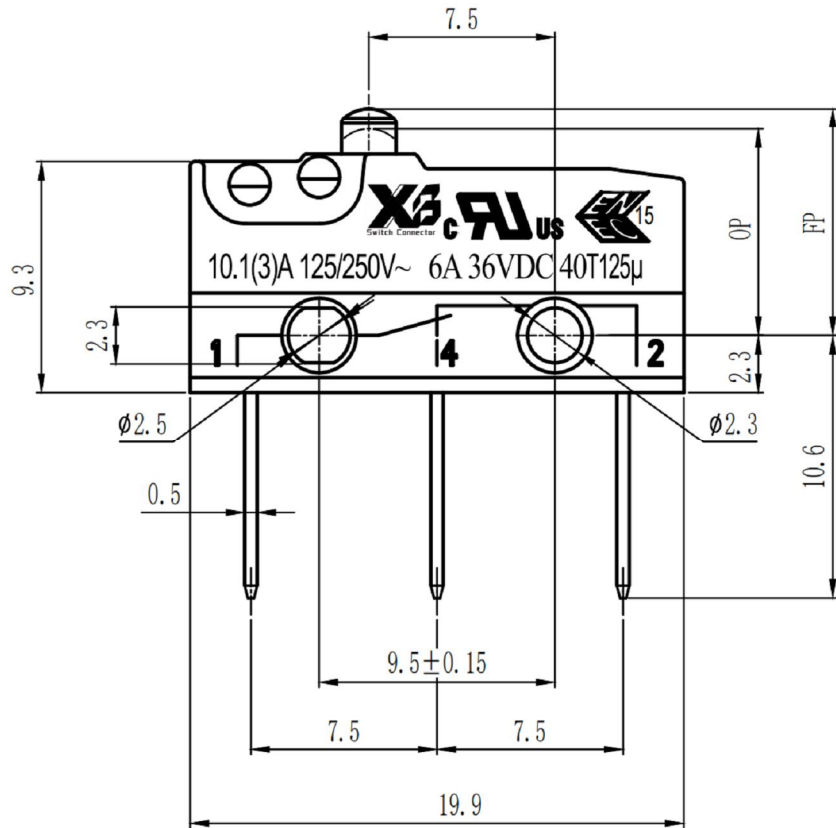
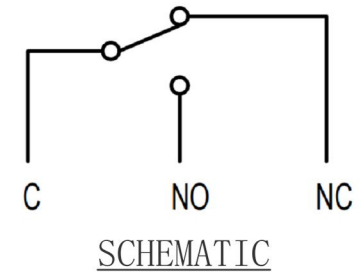


ROHS



3. 电路简图



1. 技术参数

序号	主要技术参数(Main Technical Parameters)
1	电气额定值(Electrical Rating): 10(3)A 250VAC
2	环境温度(Ambient temperature): 40T125
3	电气寿命(Electrical lifetime): 1E4 cycles Min
4	动作力(Operating force): 2.3±0.6N
5	自由位置(Free position): ≤9.3mm
6	动作位置(Operating position): 8.4±0.5mm
7	接触电阻(Contact Resistance): ≤50mΩ
8	耐压(Withstand Voltage): 端与端500V/60S/5mA, 端与壳1500V/60S/5mA。
9	绝缘电阻(Insulation Resistance): ≥100MΩ (Test Voltage 500VDC)

2. 认证:

10(3)A 250VAC 0.5A 5VDC 40T125μ

10.1(3)A 125/250V~ 6A 36VDC 40T125μ

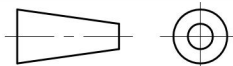
The material contained in this drawing is the property of XiBang. Any use other than that specifically authorized by XiBang is prohibited. The above drawing IS subjected to change for improvement without prior notice.



东莞市溪榜电子有限公司
DONG GUAN XI BANG ELECTRONICS CO., LTD

TITLE : XB MICRO SWITCH

MODEL : XB-FSK-18-N114 防水轻触开关立式加长脚



TOLERANCE
≤ 1.5mm ± 0.1
> 1.5mm ± 0.2
>=10mm ± 0.3

ANGLE TOL
± 2°

UNIT : MM	DWN.	ZENQ. CHEN	DATE	
SCALE : 5 : 1	CHK'D	PENG. GAO	DATE	
VERSION	01	APPD.	FEI. LONG. HE	DATE

NO.	PART NAME	MATERIAL	QTY	FINISHING
7	LEVER	SUS	1	NATURE
6	CONTACT POINT	SILVER	1	NATURE
5	SPRING PLATE	CuBe	1	NATURE
4	TERMINAL	BRASS STRIP	3	Ag PLATED
3	BASE	PBT	1	WHITE
2	COVER	PBT	1	BLACK
1	BUTTON	POM	1	WHITE