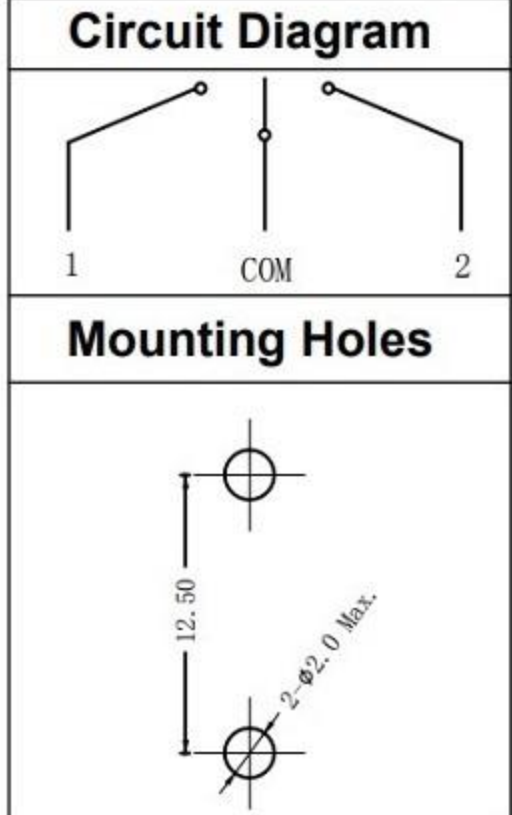
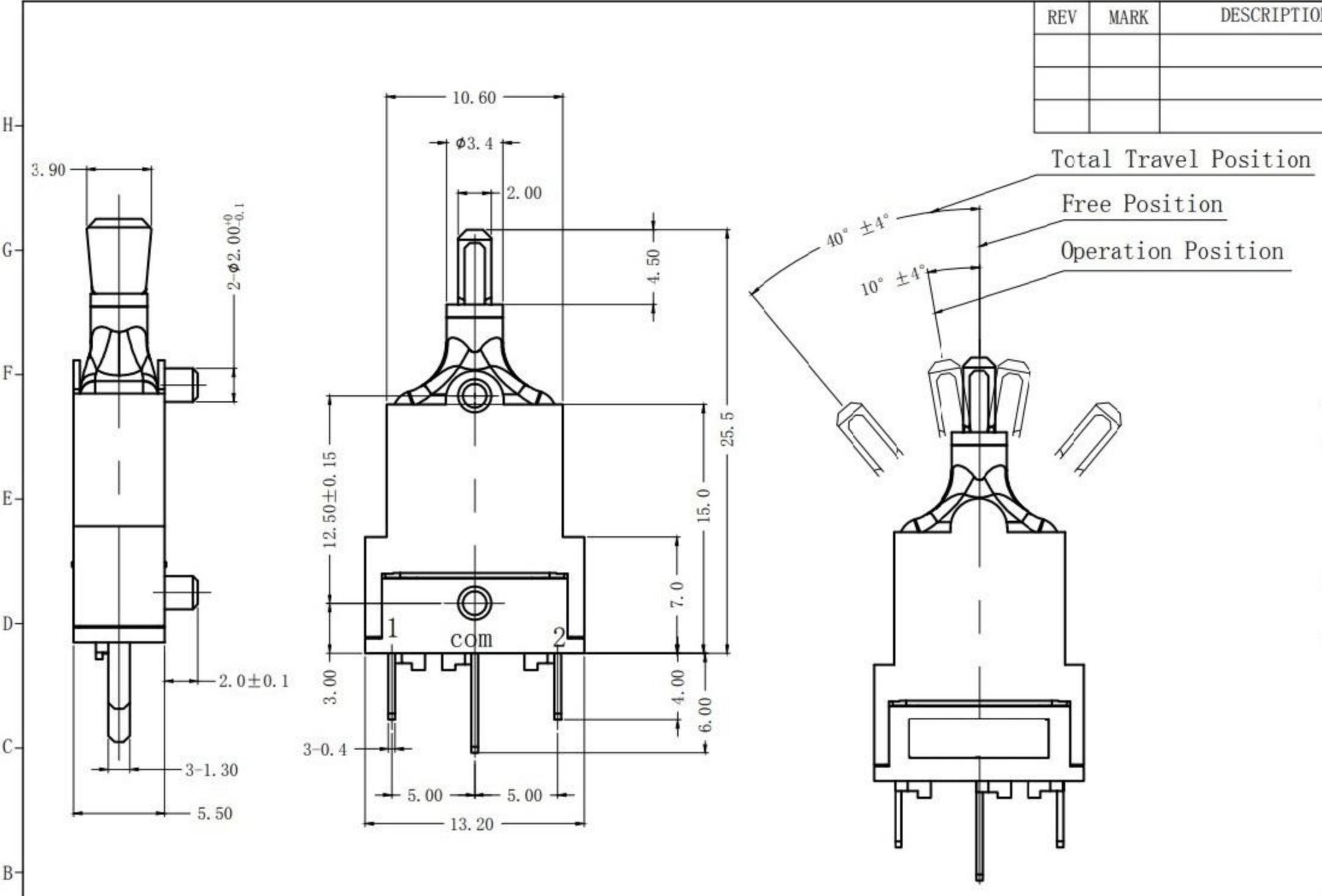


REV	MARK	DESCRIPTION	DRAFTED. BY	DATE



CHARACTERISTICS	
OPERATING FORCE (OF):	200gf Max.
OPERATING POSITION:	$10^\circ \pm 4^\circ$

ELECTRICAL DATA	
RATING	OPERATING LIFE
0.1A 12VDC	200,000 CYCLES

MECHANICAL LIFE	200,000 CYCLES
OPERATING TEMP.	$-40^\circ\text{C} \sim +85^\circ\text{C}$
WATERPROOF	IP67

OUTLINE DRAWING			
TITLE			
MODEL			
PART NO.			
DRAFTED BY	SHUANG WANG	DATE	2020-5-19
CHECKED BY	FUJUE LUO	DATE	2020-5-19
APPROVED BY	GUI LUO	DATE	2020-5-19

TOLERANCE UNLESS OTHERWISE SPECIFIED						
≤ 3	1~3	3~10	10~30	30~100	100~200	ANGLE
± 0.2	± 0.3	± 0.4	± 0.6	± 1.0	± 1.5	$\pm 3.0^\circ$
					SCALE	
					UNIT	mm
					VERSION REV	A1

溪榜电子有限公司

H
G
F
E
D
C
B
A

1 2 3 4 5 6 7 8 9 10