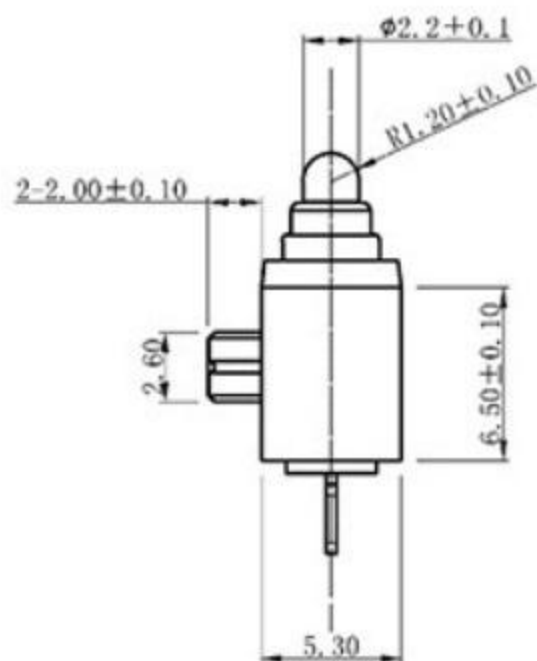
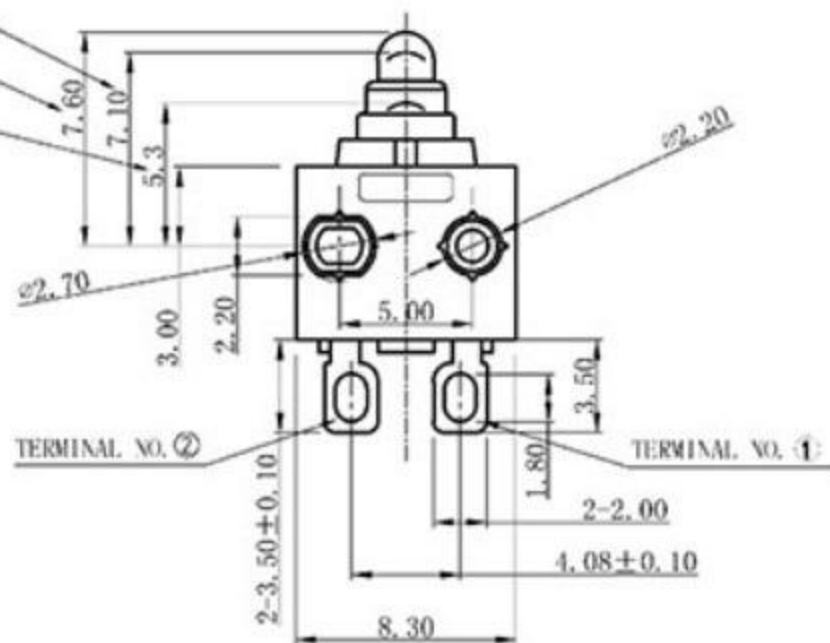


Terminal NO①-② operation position

Free position

Total travel position



Circuit Diagram



CHARACTERISTICS

OPERATING FORCE (OF) :	100 ± 50gf
FREE POSITION (FP) :	7.60mm Max.
OPERATING POSITION:	7.10 ± 0.4mm
TOTAL TRAVEL POSITION:	5.3 mm Max.
RELEASE FORCE (RF) :	10gf Min.

ELECTRICAL DATA

RATING	OPERATING LIFE
0.1A 12VDC/50uA 5VDC	300,000 CYCLES

MECHANICAL LIFE	300,000 CYCLES
OPERATING TEMP.	-40°C ~ +85°C
WATERPROOF	IP67

OUTLINE DRAWING

TITLE	H2 SERIES MICRO SWITCH		
MODEL	H2		
PART NO.			
DRAFTED BY	WANG BING	DATE	2020-8-10
CHECKED BY	FUJUE LUO	DATE	2020-8-10
APPROVED BY	MATH	DATE	2020-8-10

TOLERANCE UNLESS OTHERWISE SPECIFIED

<3	1~3	3~10	10~30	30~100	100~200	ANGLE
±0.2	±0.3	±0.4	±0.6	±1.0	±1.5	±3.0°
SCALE						
UNIT						mm
VERSION						REV AD

溪榜电子有限公司