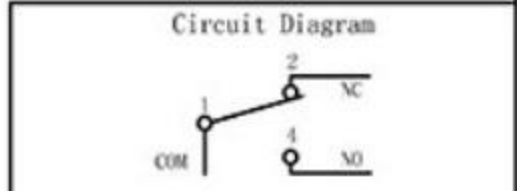
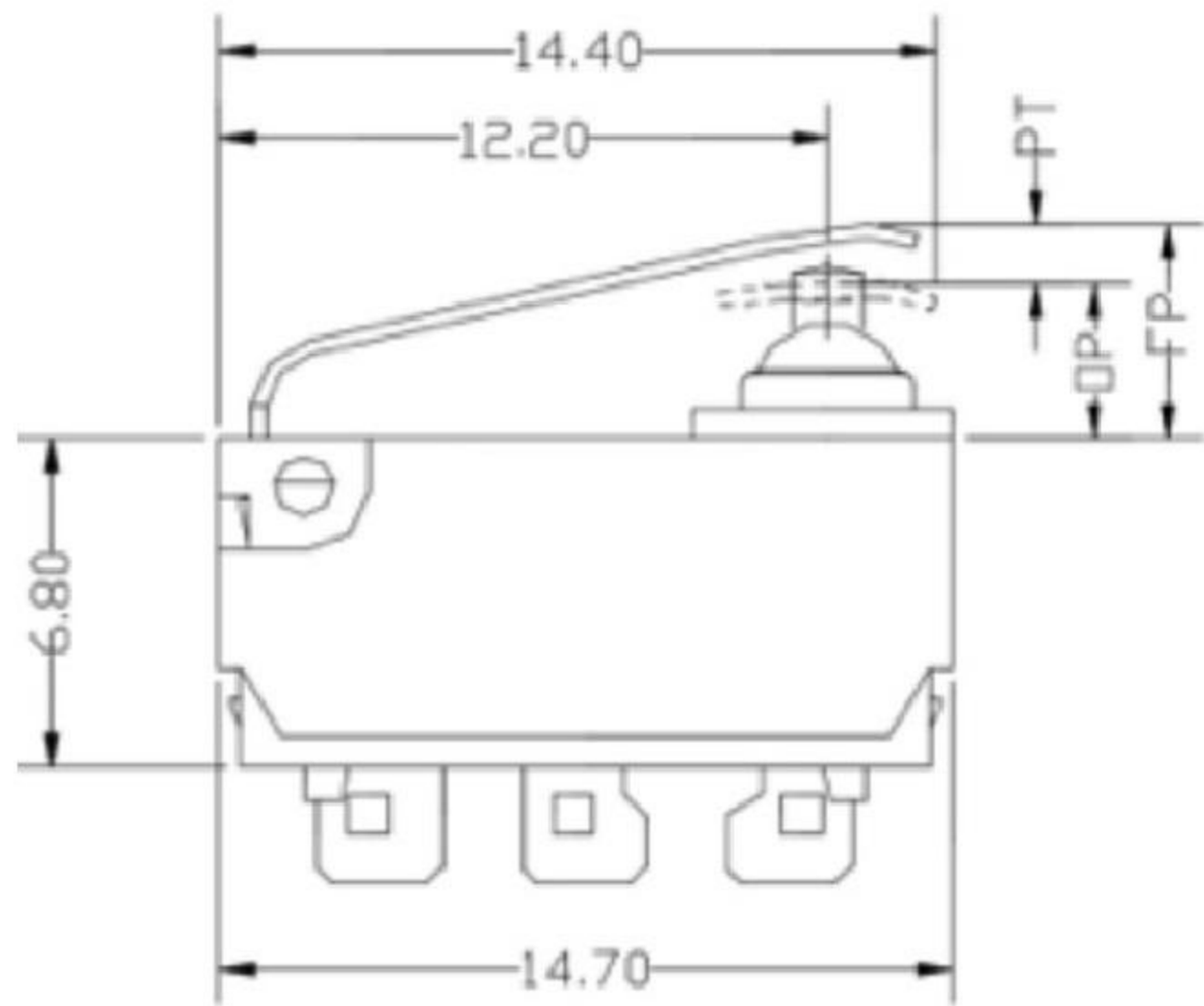
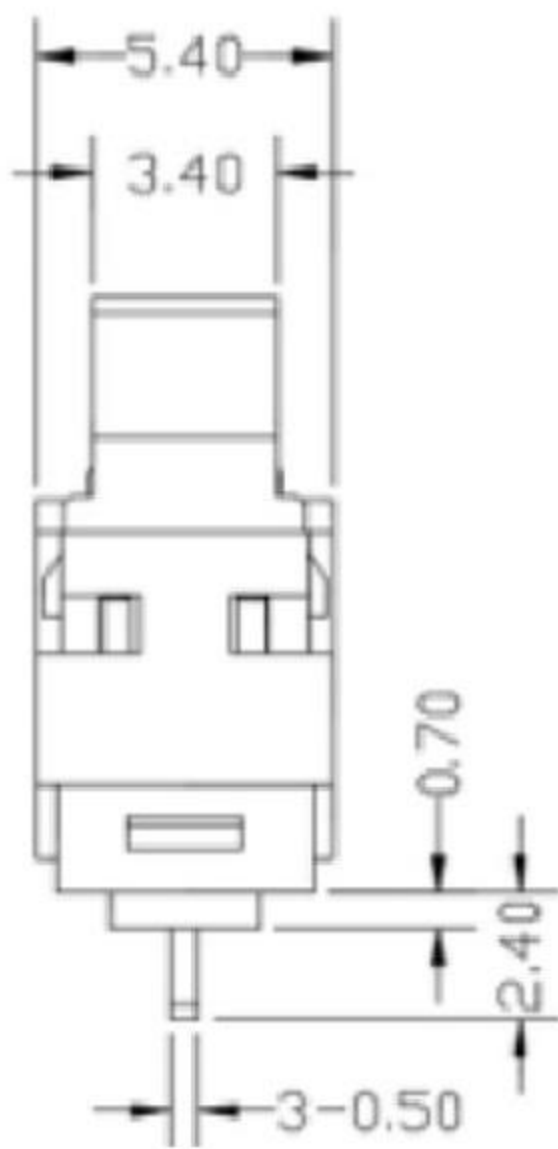


H
G
F
E
D
C
B
A



CHARACTERISTICS	
OPERATING FORCE (OF):	200gf Max.
RELEASE FORCE (RF):	50gf Min.
OPERATING POSITION:	8.40 ± 0.30 mm.
FREE POSITION :	9.7 mm MAX
PRE TRAVEL:	1.3 mm Max.
DIFFERENTIAL TRAVEL:	0.20 mm Max.
OVER TRAVEL:	0.60 mm Min.

ELECTRICAL DATA	
RATING	OPERATING LIFE
5A 125/250VAC	10,000 CYCLES
MECHANICAL LIFE	500,000 CYCLES
GAP TYPE	MICRO
OPERATING TEMP.	-40°C ~ +105°C
WATERPROOF	IP67

OUTLINE DRAWING			
TITLE	H5 SERIES MICRO SWITCH		
MODEL	H5-A1		
PART NO.			
DRAFTED BY	SHUANG WANG	DATE	2021-1-20
CHECKED BY	SHIGANG YOU	DATE	2021-1-20
APPROVED BY	MATH	DATE	2021-1-20

TOLERANCE UNLESS OTHERWISE SPECIFIED						
<3	3~10	10~30	30~100	100~200	200~	ANGLE
±0.2	±0.3	±0.4	±0.6	±1.0	±1.5	±3.0°
					SCALE	
					UNIT	mm
					VERSION	REV
						AO

溪榜电子有限公司

1 2 3 4 5 6 7 8 9 10