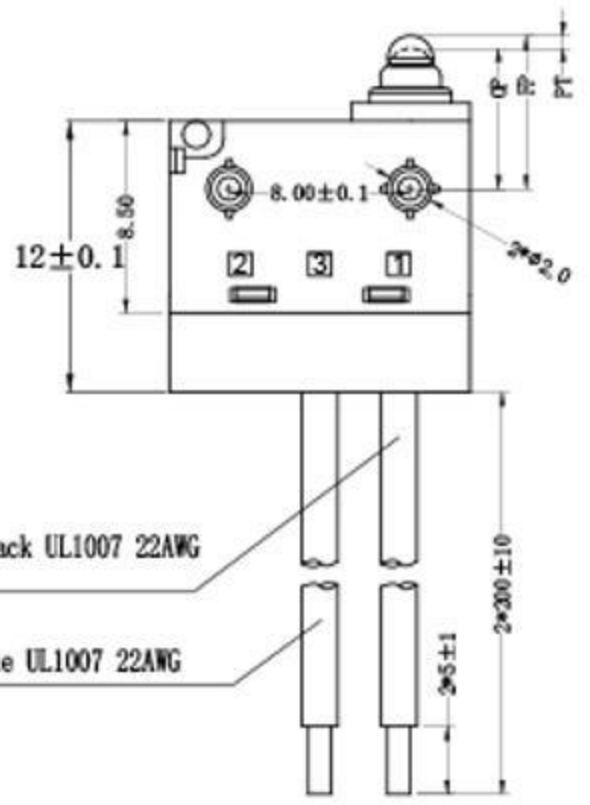
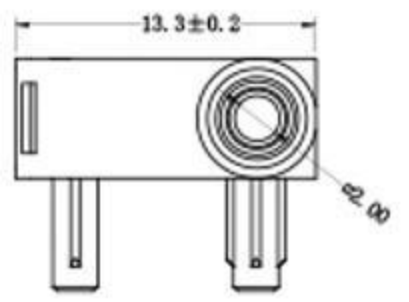
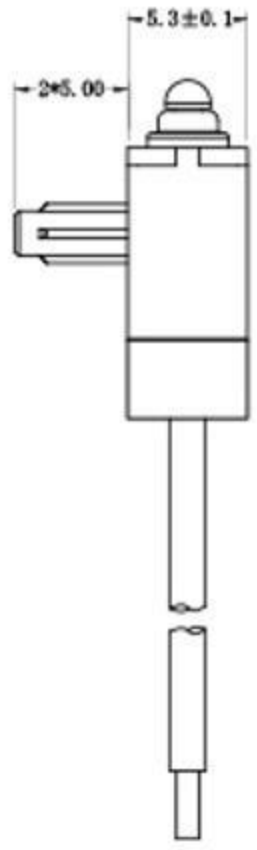


REV	MARK	DESCRIPTION	DRAFTED. BY	DATE

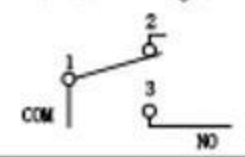


COM: Black UL1007 22AWG

NO: Blue UL1007 22AWG



Circuit Diagram



ELECTRICAL DATA

RATING		OPERATING LIFE	
3A 12VDC		100,000 CYCLES	
0.1A 48VDC 125/250VAC		100,000 CYCLES	
MECHANICAL LIFE		500,000 CYCLES	
GAP TYPE		MICRO	
OPERATING TEMP		-25℃~+85℃	
WATERPROOF		IP67	

CHARACTERISTICS	
OPERATING FORCE (OF):	150gf Max.
RELEASE FORCE (RF):	30gf Min.
OPERATING POSITION:	6.4±0.3mm.
PRE TRAVEL:	1.30mm Max.
DIFFERENTIAL TRAVEL:	0.25mm Max.
FREE POSITION:	7.20mm Max.

OUTLINE DRAWING

TITLE	H3 SERIES MICRO SWITCH						
MODEL	H3-D5						
PART NO.							
DRAFTED BY	LV ZHIPENG	DATE	2020-12-9				
CHECKED BY	YANG HONGTAO						
APPROVED BY	TANG XIAOBO						

TOLERANCE UNLESS OTHERWISE SPECIFIED

	<3	1~3	3~10	10~30	30~100	100~200	ANGLE
	±0.2	±0.3	±0.4	±0.6	±1.0	±1.5	±3.0°
SCALE							
UNIT	MM						
VERSION REV	A1						

东莞市溪榜电子有限公司