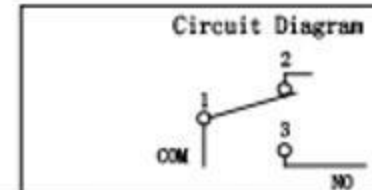
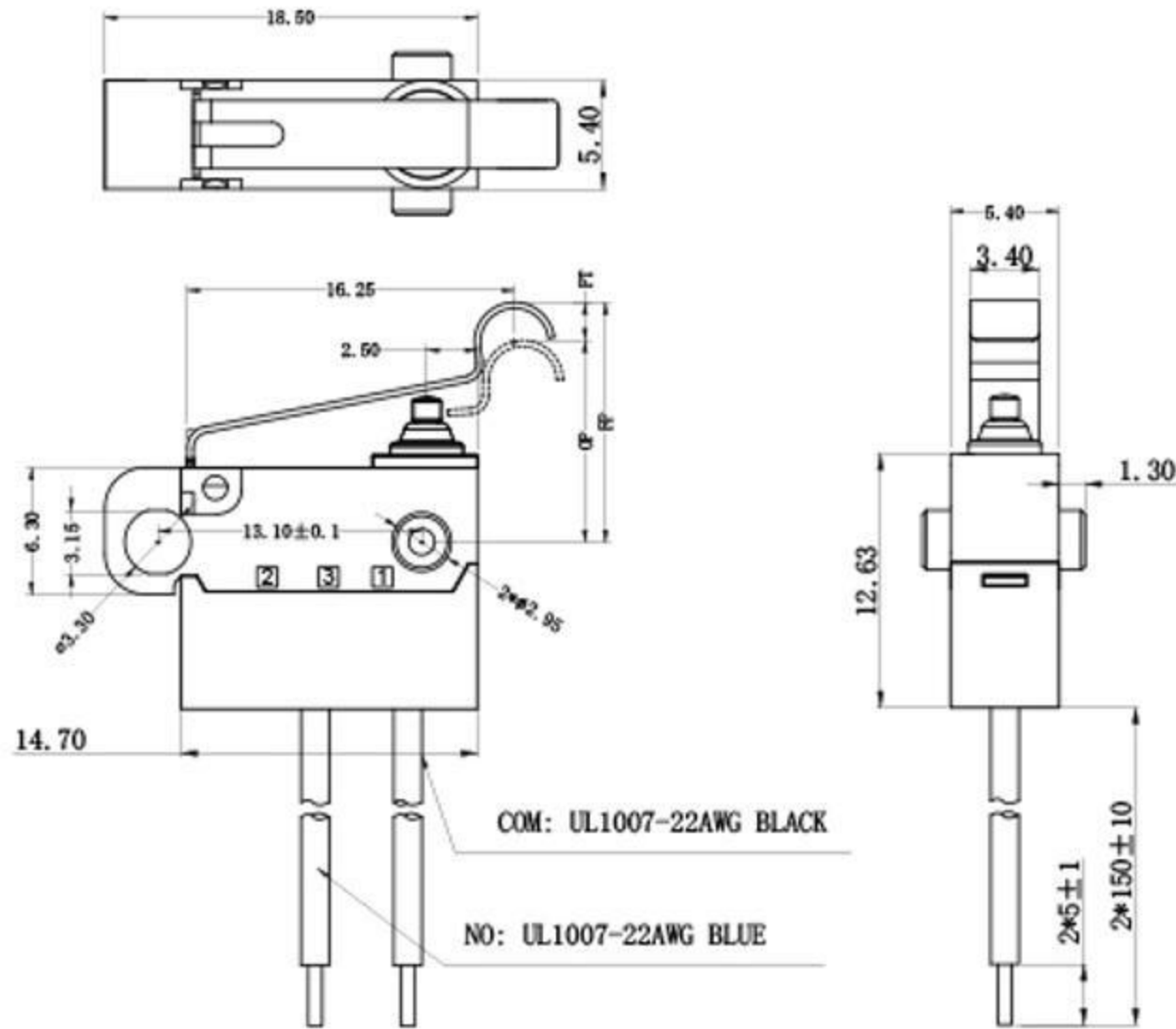


| REV | MARK | DESCRIPTION | DRAFTED. BY | DATE |
|-----|------|-------------|-------------|------|
|     |      |             |             |      |
|     |      |             |             |      |
|     |      |             |             |      |



#### ELECTRICAL DATA

| RATING                | OPERATING LIFE |
|-----------------------|----------------|
| 3A 12VDC              | 100,000 CYCLES |
| 0.1A 48VDC 125/250VAC | 100,000 CYCLES |

| MECHANICAL LIFE | 500,000 CYCLES |
|-----------------|----------------|
| GAP TYPE        | MICRO          |
| OPERATING TEMP  | -25°C ~ +85°C  |
| WATERPROOF      | IP67           |

#### CHARACTERISTICS

|                       |                |
|-----------------------|----------------|
| OPERATING FORCE (OF): | 200gf Max.     |
| RELEASE FORCE (RF):   | 20gf Min.      |
| OPERATING POSITION:   | 10.7 ± 0.7 mm. |
| PRE TRAVEL:           | 3.8mm Max.     |
| DIFFERENTIAL TRAVEL:  | 0.70mm Max.    |
| FREE POSITION:        | 13.50mm Max.   |

| OUTLINE DRAWING |                        |      |          | TOLERANCE UNLESS OTHERWISE SPECIFIED   |      |      |       |        |         |       |
|-----------------|------------------------|------|----------|--|------|------|-------|--------|---------|-------|
| TITLE           | H3 SERIES MICRO SWITCH |      |          | <3   | 1~3  | 3~10 | 10~30 | 30~100 | 100~200 | ANGLE |
| MODEL           | H3-B1                  |      |          | ±0.2   | ±0.3 | ±0.4 | ±0.6  | ±1.0   | ±1.5    | ±3.0° |
| PART NO.        |                        |      |          |  |      |      |       | SCALE  |         |       |
| DRAFTED BY      | LV ZHIPENG             | DATE | 2020-9-4 |  |      |      |       | UNIT   | MM      |       |
| CHECKED BY      | YANG HONGTAO           |      |          | VERSION  |      | REV  | A1    |        |         |       |
| APPROVED BY     | TANG XIAOBO            |      |          | <div style="text-align: right; font-weight: bold; font-size: 1.2em;">东莞市溪榜电子有限公司</div> |      |      |       |        |         |       |