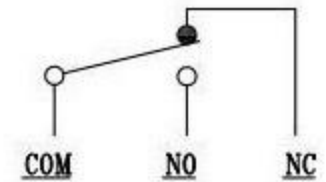
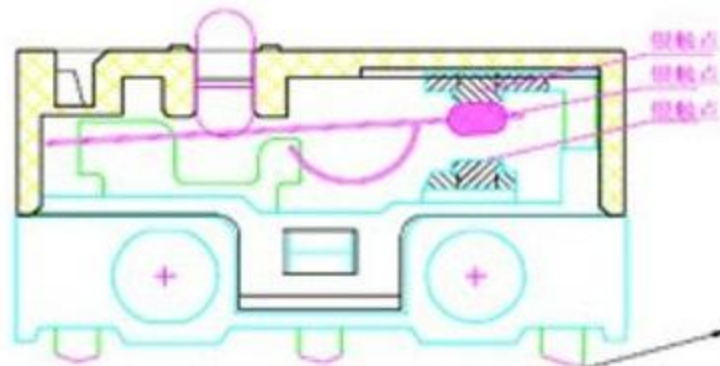
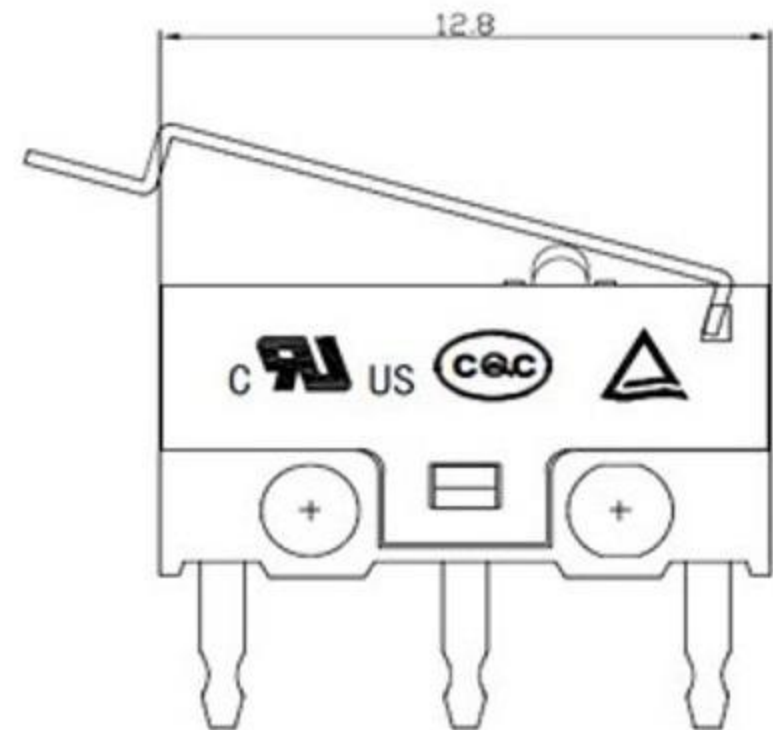
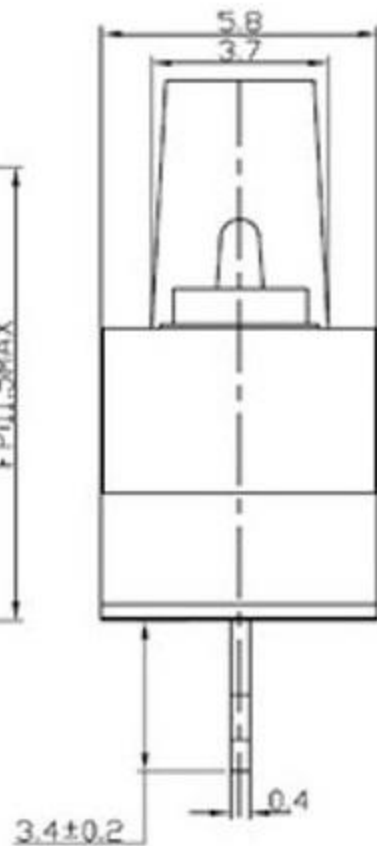
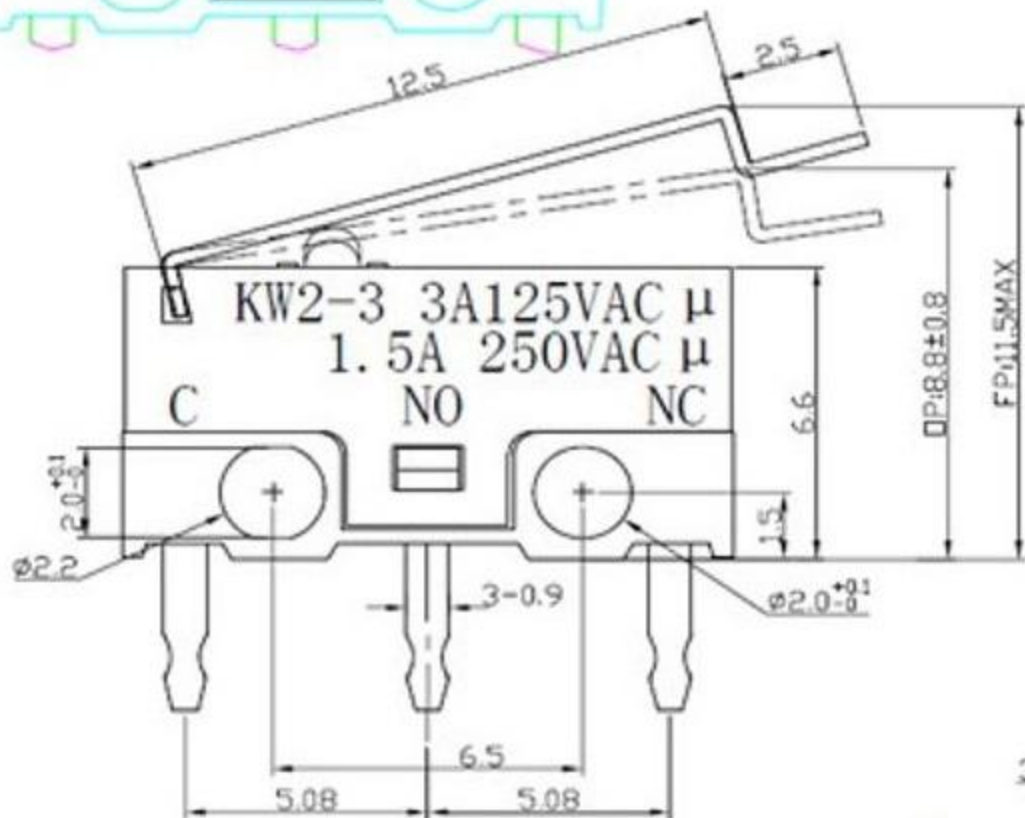


CAD FILE:



SCHEMATIC (NON-SHORTING)



NO.	PARTS	MATERIALS	Q'TY	FINISH	TOLERANCE UNLESS SPECIFIED			
7	PLASTIC HANDLE	PA66	1	BLACK				
6	CONTACT	AG	1	NATURAL	WITHIN 1.5mm : ± 0.1 mm	A		初版
5	SHRAPNEL	PBS	1	NATURAL	OVER 1.5mm : ± 0.2 mm	ISSUE	DATE	DESCRIPTIONS OF REVISION
4	KNOB	PA9T	1	BLACK	TITLE : MICRO SWITCH			UNIT : mm
3	COVER	PA66	1	BLACK	MODEL:			SCALE: 3:1
2	BASE	PA9T	1	BLACK	东莞市溪榜电子有限公司			DRWG NO.:
1	TERMINAL	BRASS STRIP	3	Ag PLATED				DWN.
						CHK'D	戴海明	2008.6.8
						APPD.	林小姐	2008.6.8