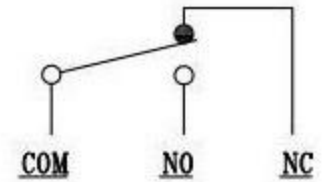
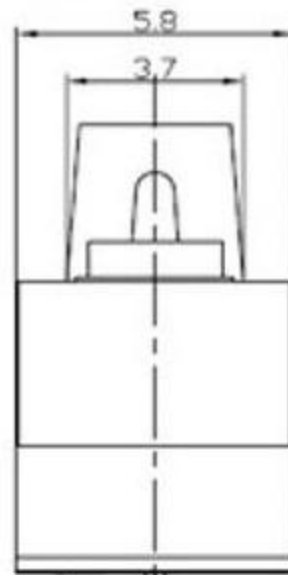
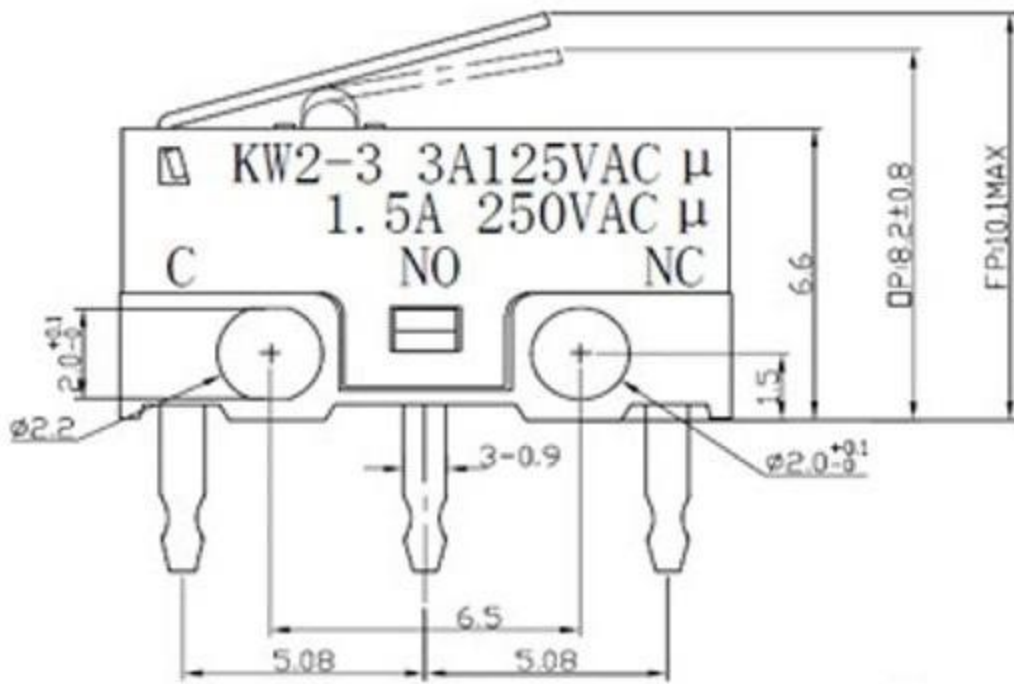
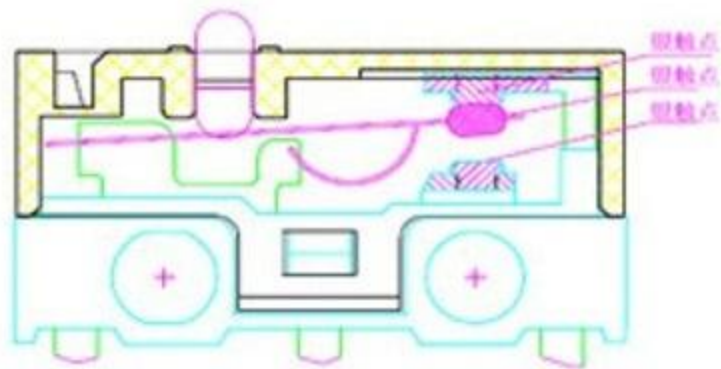
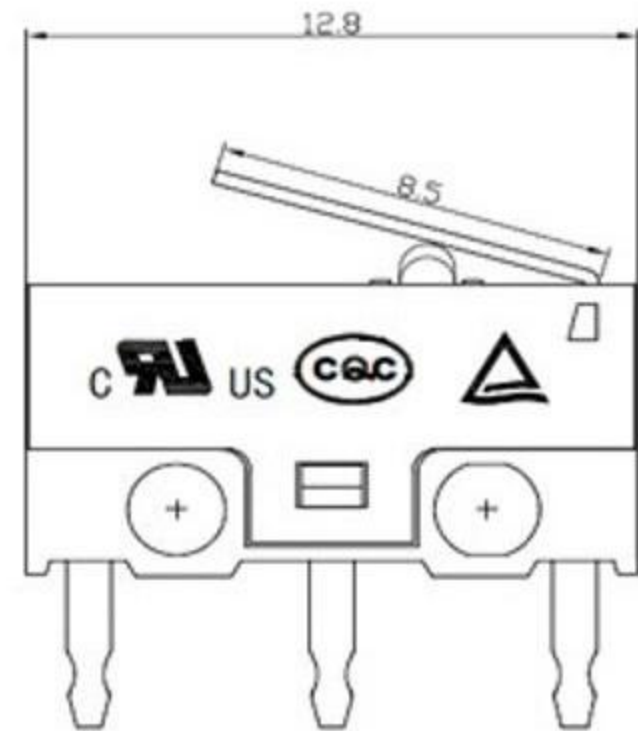


CAD FILE:



SCHEMATIC (NON-SHORTING)



注：“*”口表示关键尺寸(4个).

| NO. | PARTS | MATERIALS | Q'TY | FINISH | TOLERANCE UNLESS SPECIFIED | | | | | | |
|-----|----------------|-------------|------|-----------|----------------------------|-------|------|--------------------------|------------|-----------|----------|
| 7 | PLASTIC HANDLE | PA66 | 1 | BLACK | | | | | | | |
| 6 | CONTACT | AG | 1 | NATURAL | WITHIN 1.5mm : ±0.1mm | A | | | 初版 | | |
| 5 | SHRAPNEL | PBS | 1 | NATURAL | OVER 1.5mm : ±0.2mm | ISSUE | DATE | DESCRIPTIONS OF REVISION | APPD. | | |
| 4 | KNOB | PA9T | 1 | BLACK | TITLE : MICRO SWITCH | | | | UNIT : mm | DRWG NO.: | |
| 3 | COVER | PA66 | 1 | BLACK | MODEL: | | | | SCALE: 3:1 | | |
| 2 | BASE | PA9T | 1 | BLACK | 东莞市溪榜电子有限公司 | | | | DWN. | 刘工 | 2008.6.8 |
| 1 | TERMINAL | BRASS STRIP | 3 | Ag PLATED | | | | | CHK'D | 戴海明 | 2008.6.8 |
| | | | | | | | | | APPD. | 林小姐 | 2008.6.8 |