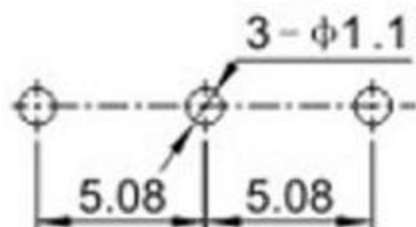
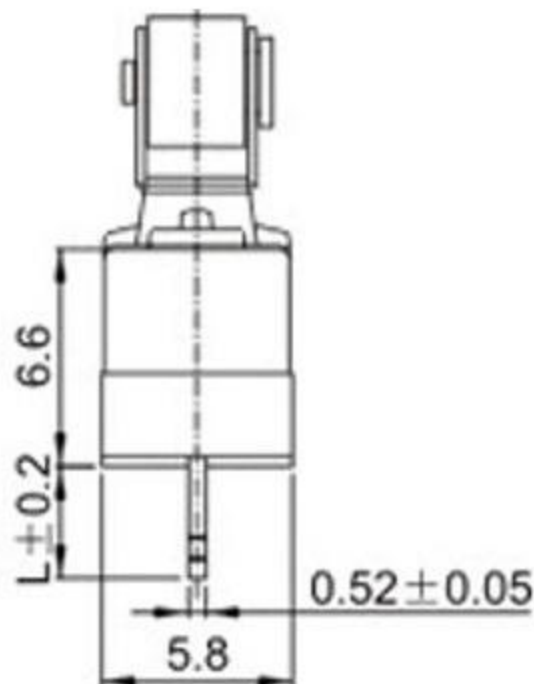
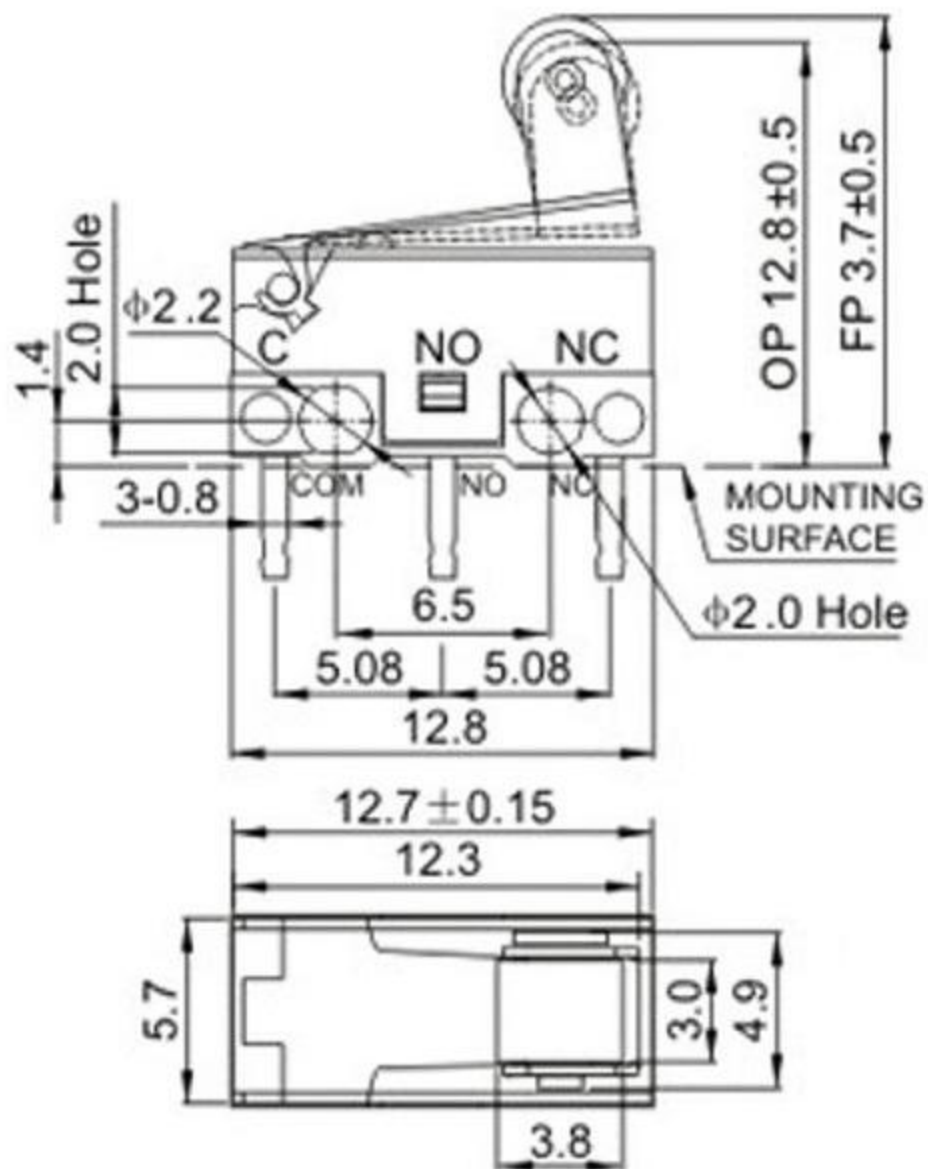
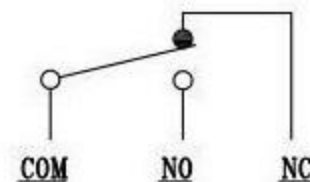


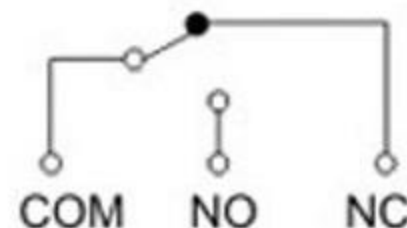
CAD FILE:



P.C.B Layout



SCHEMATIC (NON-SHORTING)



Circuit Diagram

"*"口表示关键尺寸(4个).

NO.	PARTS	MATERIALS	Q'TY	FINISH	TOLERANCE UNLESS SPECIFIED	ISSUE	DATE	DESCRIPTIONS OF REVISION	APPD.	
7	PLASTIC HANDLE	PA66	1	BLACK	WITHIN 1.5mm : ±0.1mm	A		初版		
6	CONTACT	AG	1	NATURAL	OVER 1.5mm : ±0.2mm					
5	SHRAPNEL	PBS	1	NATURAL						
4	KNOB	PA9T	1	BLACK						
3	COVER	PA66	1	BLACK						
2	BASE	PA9T	1	BLACK						
1	TERMINAL	BRASS STRIP	3	Ag PLATED						
					TITLE : MICRO SWITCH		UNIT : mm	DRWG NO.:		
					MODEL:		SCALE: 3:1	DWN.	刘工	2008.6.8
					东莞市溪榜电子有限公司			CHK'D	戴海明	2008.6.8
								APPD.	林小姐	2008.6.8