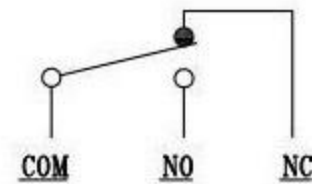
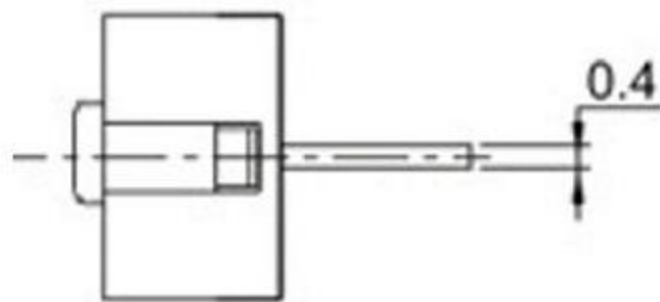
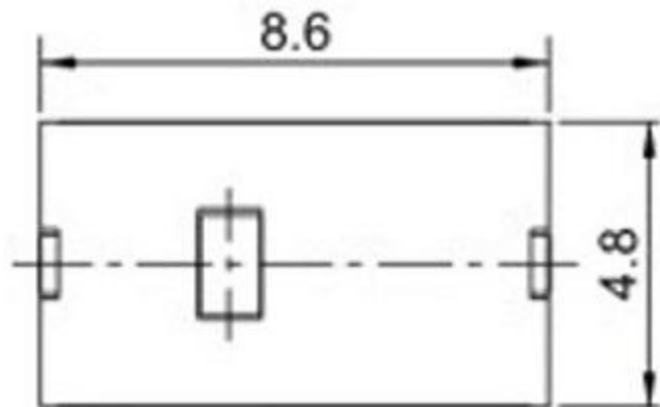
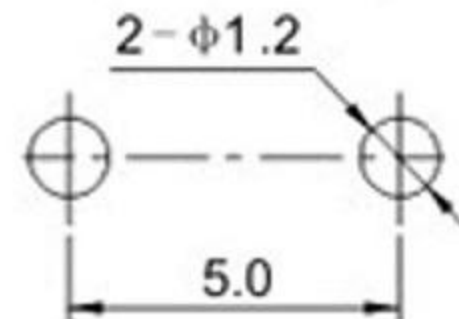


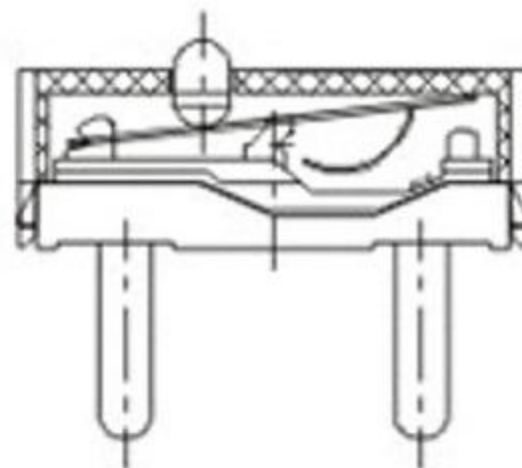
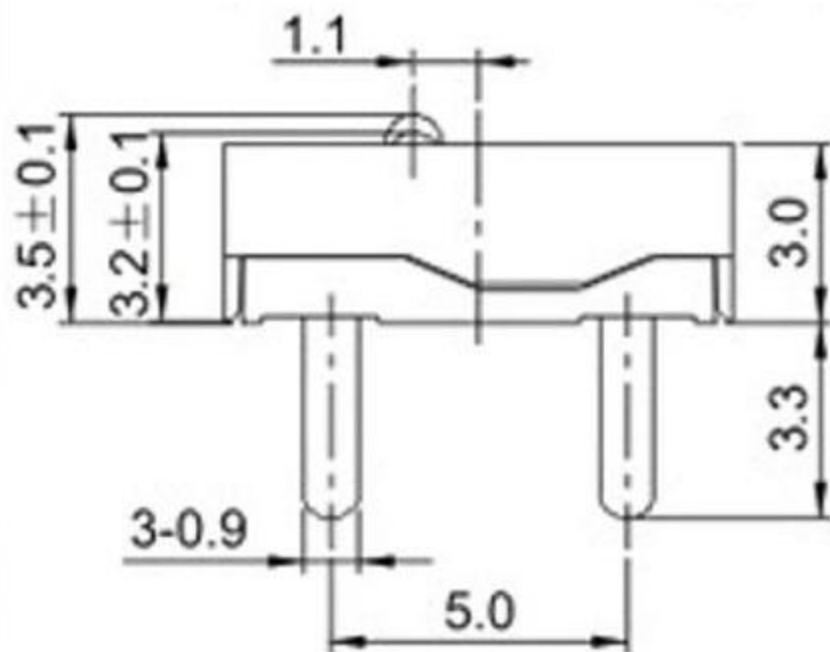
CAD FILE:



SCHEMATIC (NON-SHORTING)



P.C.B Layout



Circuit Diagram

注：“\*”口表示关键尺寸(4个).

| NO. | PARTS          | MATERIALS   | Q'TY | FINISH    | TOLERANCE<br>UNLESS SPECIFIED |       |      |                          |                    |
|-----|----------------|-------------|------|-----------|-------------------------------|-------|------|--------------------------|--------------------|
| 7   | PLASTIC HANDLE | PA66        | 1    | BLACK     |                               |       |      |                          |                    |
| 6   | CONTACT        | AG          | 1    | NATURAL   | WITHIN 1.5mm : ±0.1mm         | A     |      |                          | 初版                 |
| 5   | SHRAPNEL       | PBS         | 1    | NATURAL   | OVER 1.5mm : ±0.2mm           | ISSUE | DATE | DESCRIPTIONS OF REVISION | APPD.              |
| 4   | KNOB           | PA9T        | 1    | BLACK     | TITLE : MICRO SWITCH          |       |      | UNIT : mm                | DRWG NO.:          |
| 3   | COVER          | PA66        | 1    | BLACK     | MODEL:                        |       |      | SCALE: 3:1               | DWN. 刘工 2008.6.8   |
| 2   | BASE           | PA9T        | 1    | BLACK     | 东莞市溪榜电子有限公司                   |       |      |                          | CHK'D 戴海明 2008.6.8 |
| 1   | TERMINAL       | BRASS STRIP | 3    | Ag PLATED |                               |       |      |                          |                    |