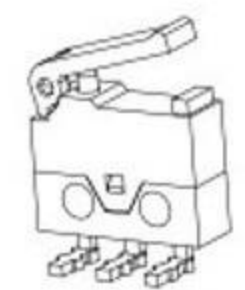
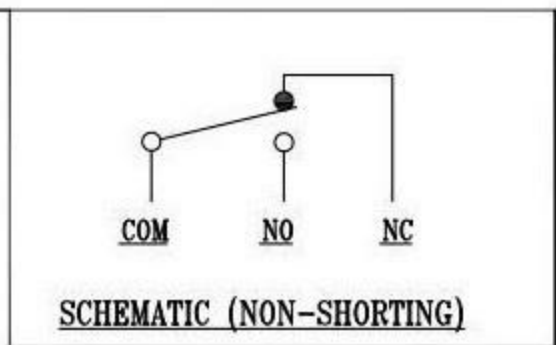
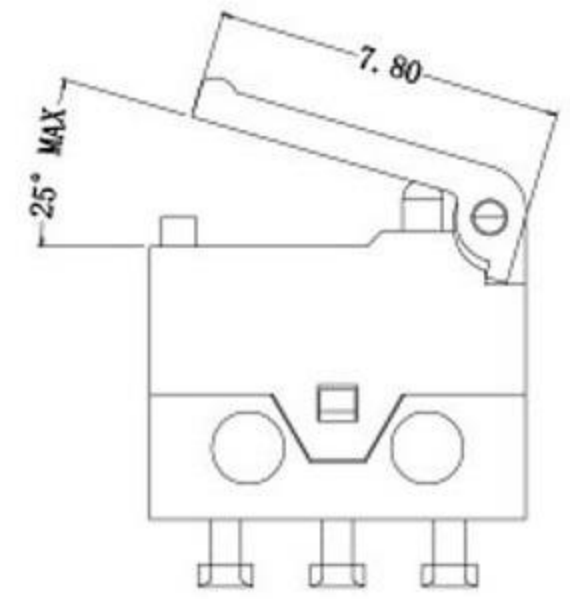
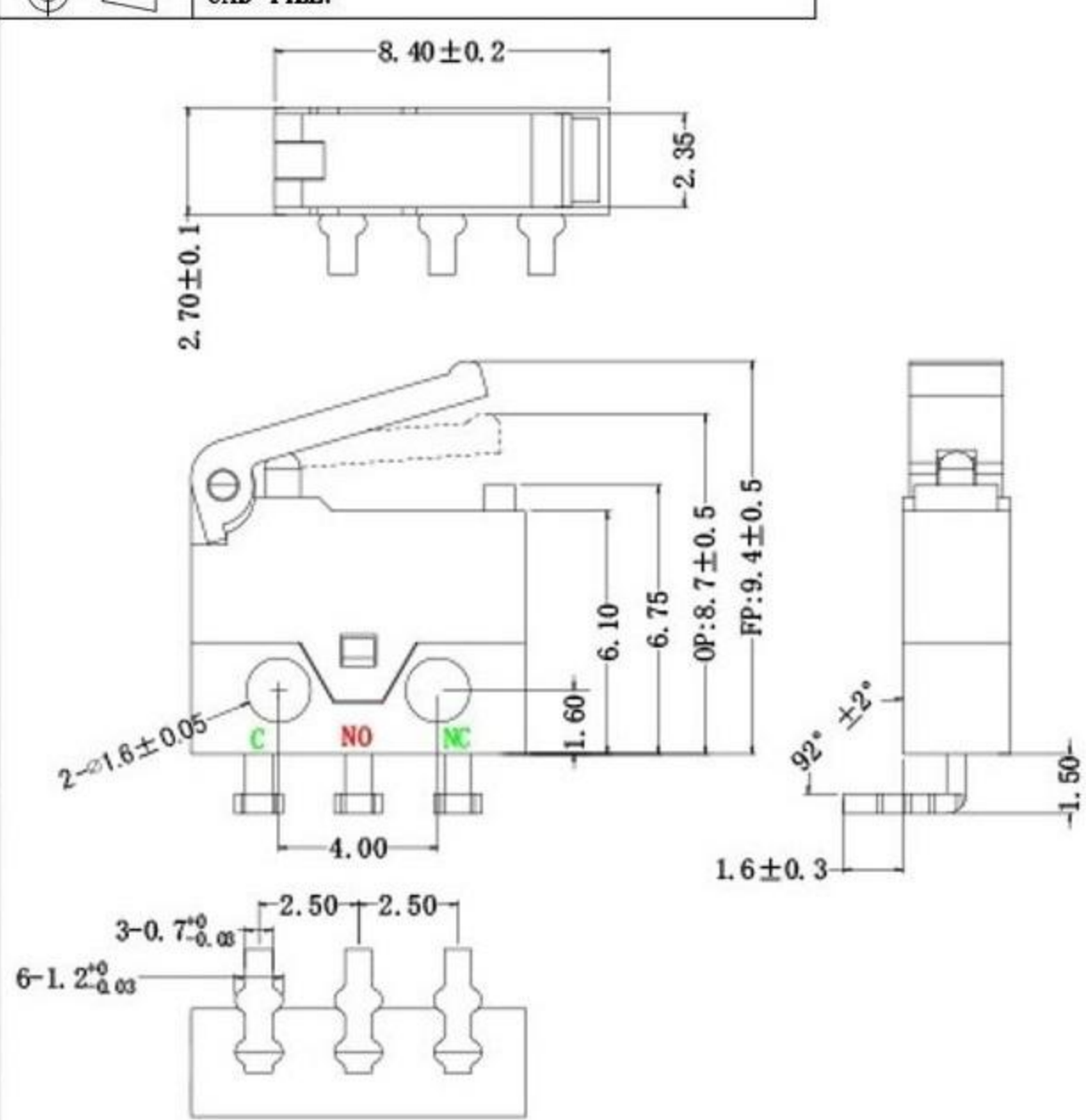
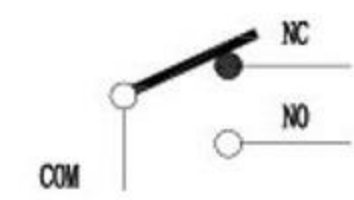


CAD FILE:



左弯脚



注：“*”口表示关键尺寸(4个).

NO.	PARTS	MATERIALS	Q'TY	FINISH	TOLERANCE UNLESS SPECIFIED					
7	PLASTIC HANDLE	PA66	1	BLACK	WITHIN 1.5mm : $\pm 0.1\text{mm}$	A	初版			
6	CONTACT	AG	1	NATURAL	OVER 1.5mm : $\pm 0.2\text{mm}$	ISSUE	DATE	DESCRIPTIONS OF REVISION		
5	SHRAPNEL	PBS	1	NATURAL	TITLE : MICRO SWITCH		UNIT : mm	DRWG NO.:		
4	KNOE	PA9T	1	BLACK	MODEL:		SCALE: 3:1	DWN.	刘工	2008.6.8
3	COVER	PA66	1	BLACK	东莞市溪榜电子有限公司					
2	BASE	PA9T	1	BLACK			CHK'D	戴海明	2008.6.8	
1	TERMINAL	BRASS STRIP	3	Ag PLATED			APPD.	林小姐	2008.6.8	