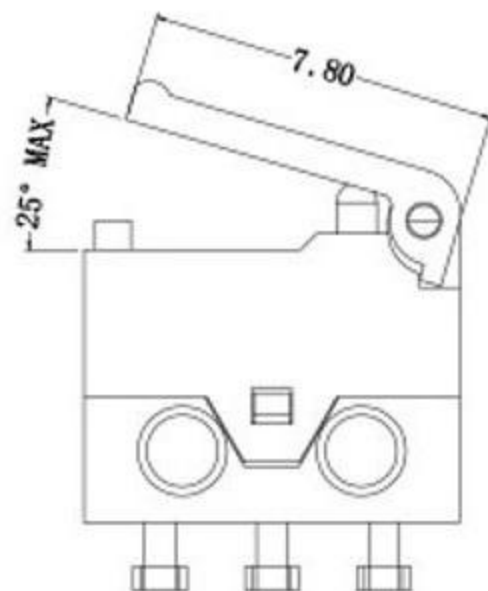
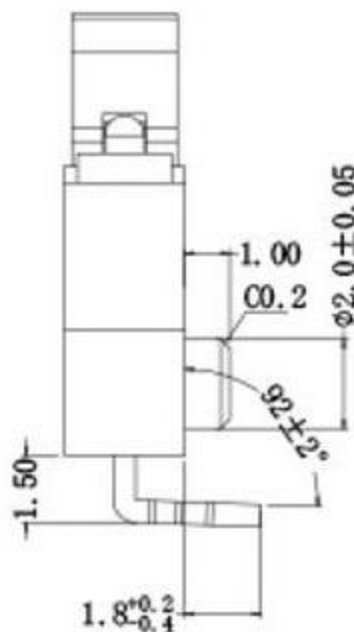
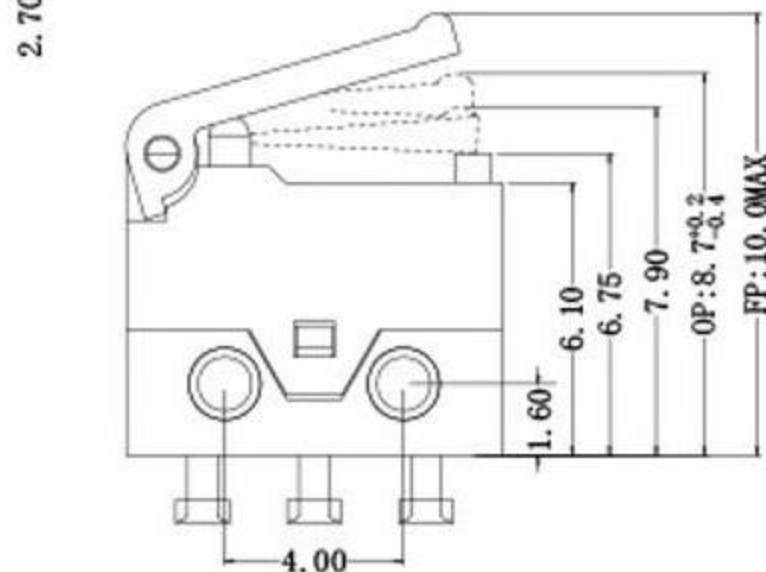
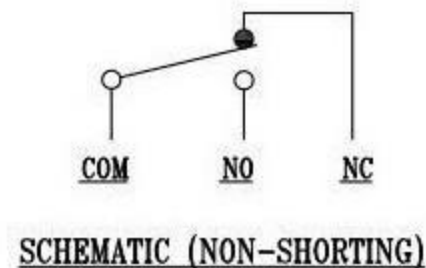
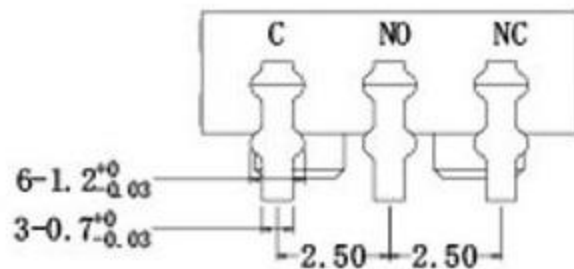
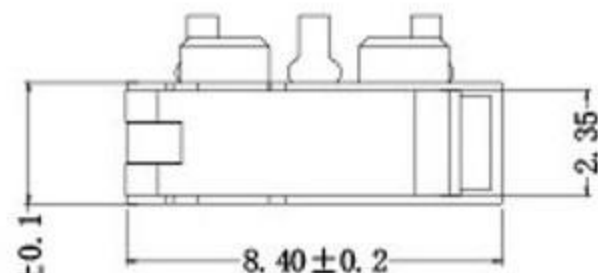
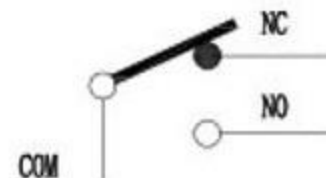


CAD FILE:



右弯脚



注：“*”口表示关键尺寸(4个).

NO.	PARTS	MATERIALS	Q'TY	FINISH	TOLERANCE UNLESS SPECIFIED						
7	PLASTIC HANDLE	PA66	1	BLACK							
6	CONTACT	AG	1	NATURAL	WITHIN 1.5mm : ±0.1mm	A			初版		
5	SHRAPNEL	PBS	1	NATURAL	OVER 1.5mm : ±0.2mm	ISSUE	DATE		DESCRIPTIONS OF REVISION	APPD.	
4	KNOE	PA9T	1	BLACK	TITLE : MICRO SWITCH			UNIT : mm	DRWG NO.:		
3	COVER	PA66	1	BLACK	MODEL:			SCALE: 3:1	DWN.	刘工	2008.6.8
2	BASE	PA9T	1	BLACK	东莞市溪榜电子有限公司				CHK'D	戴海明	2008.6.8
1	TERMINAL	BRASS STRIP	3	Ag PLATED					APPD.	林小姐	2008.6.8