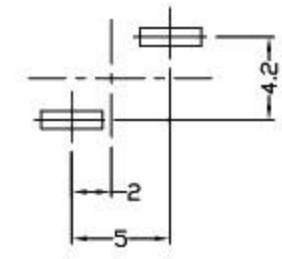
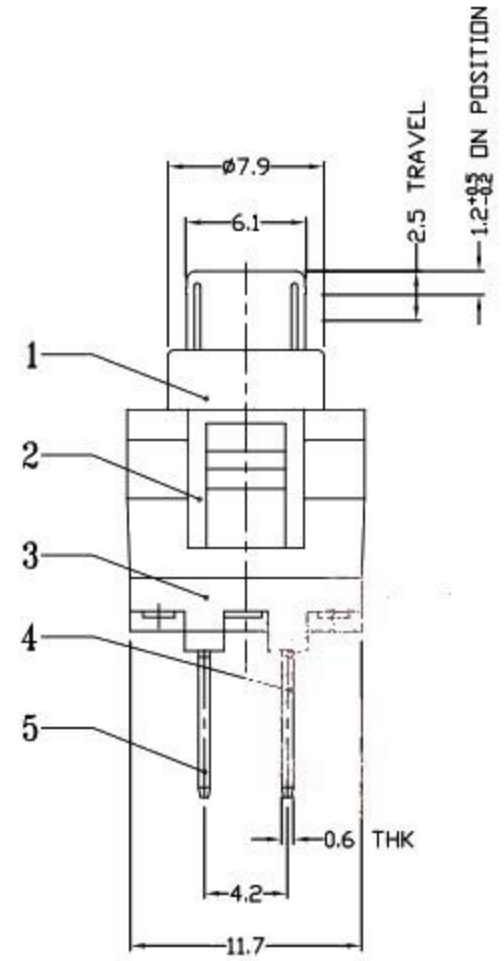
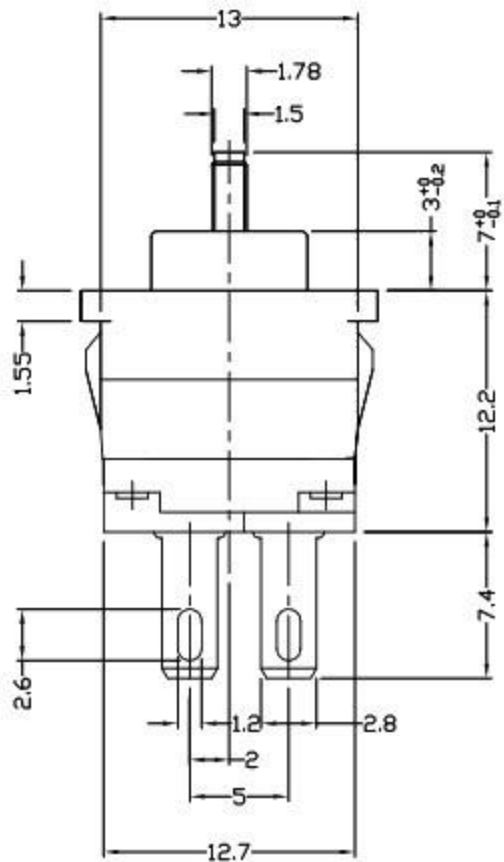
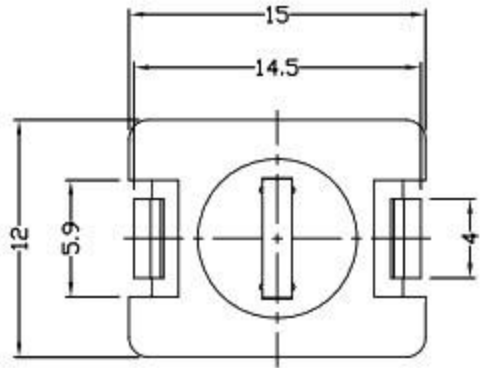




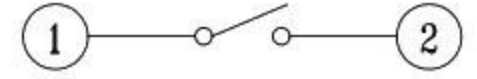
RoHS
Compliant
2002/95/EC

REV.	ECN. NO.	APPD.

DIMENSIONS



P.C.B LAYOUT
TOP VIEW



CIRCUIT DIAGRAM

ELECTRO-MECHANICAL CHARACTERISTICS
Refer to additional specifications

RATING	DC30V 0.1A
CIRCUIT	1P1T
CONTACT RESISTANCE	30mΩ MAX.
TIMING	
OPERATING MODE	NON-LOCK
STROKE	FULL 2.5mm ON 1.2 ^{+0.5} _{-0.2} mm
OPERATING FORCE	100±30gf
OPERATING LIFE(cycles)	10,000

NO.	PARTS	MATERIAL	Q'TY	FINISHING
8				
7	SPRING	STAINLESS STEEL WIRE	1	NATURAL
6	CONTACT	SUS	1	Ag(0.5μm)PLATED
5	U-TERMINAL	BRASS STRIP	1	Ag(0.5μm) PLATED OVER NI PLATED
4	V-TERMINAL	BRASS STRIP	1	Ag(0.5μm) PLATED OVER NI PLATED
3	CASE	NYLON+F.G	1	BLACK
2	COVER	PC	1	BLACK
1	KNOB	PDM	1	WHITE

WITHIN 1.5mm: ±0.1mm
OVER 1.5mm: ±0.2mm

THESE DRAWINGS AND SPECIFICATIONS ARE THE PROPERTY OF ACCURATE INNOTECH INC AND SHALL NOT BE REPRODUCED, COPIED OR USED IN ANY MANNER WITHOUT THE PRIOR WRITTEN CONSENT OF ACCURATE INNOTECH INC.

UNITS	mm
MAT'L	SEE NOTE
FINISH	SEE NOTE
Q'TY	

东莞市溪榜电子有限公司

TITLE:	PUSH SWITCH / VERTICAL.	PART NO.:	
DR:	Ricky 2015/03/19	DWG NO.:	
CHKD:	Ricky 2015/03/19	SCALE	2:1
APPD:		SHEET	1/1
		REV.	A
		CUSTOMER DRAWING	