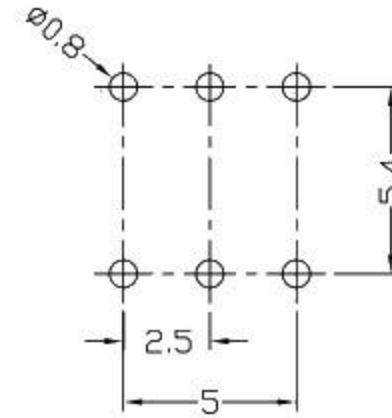
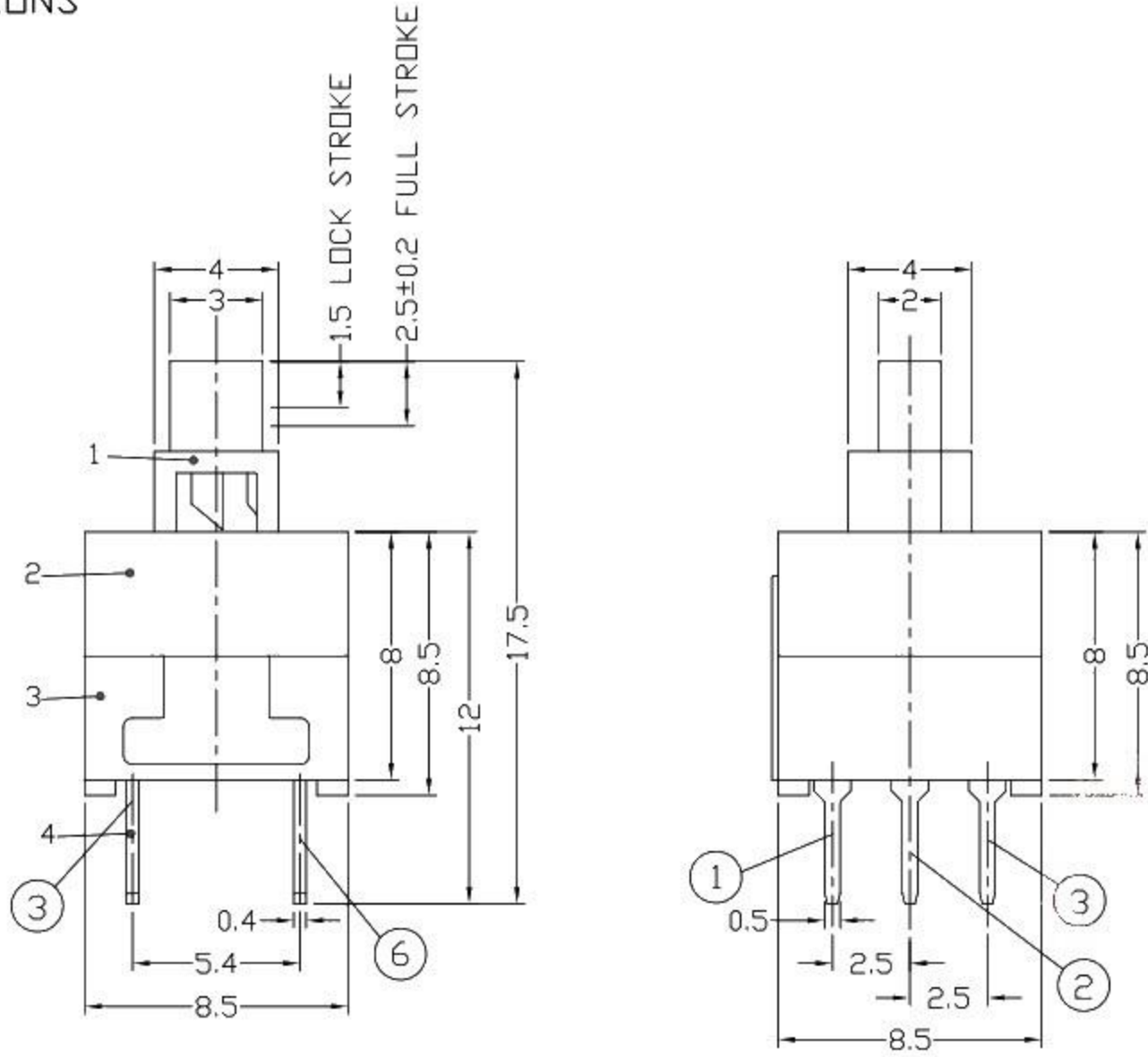




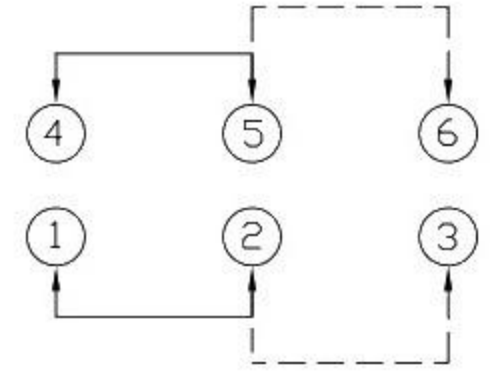
RoHS  
Compliant  
2002/95/EC

REV.	ECN. NO.	APPD.

### DIMENSIONS



P.C.B LAYOUT



CIRCUIT DIAGRAM

### ELECTRO-MECHANICAL CHARACTERISTICS

Refer to additional specifications

RATING	DC40V 0.1A	
CIRCUIT	2P2T	
CONTACT RESISTANCE	50mΩ MAX.	
TIMING	NON-SHORTING	
OPERATING MODE	SELF-LOCK	
	NON-LOCK	
STROKE	FULL 2.5mm	LOCK 1.5mm
OPERATING FORCE	180±60gf	250±100gf
OPERATING LIFE(cycles)	10,000	

NO	PARTS	MATERIAL	QTY	FINISHING
7	SPRING PLATE/CAM/STICK	PBS	2	Ag CLAD
6	SPRING	SUS WIRE	1	NATURAL
5	LOCK PIN	SUS WIRE	1	Ni PLATED
4	TERMINAL	BRASS STRIP	6	Ag PLATED
3	CASE	NYLON+F.G	1	BLACK
2	COVER	NYLON+F.G	1	BLACK
1	KNOB	POM	1	NATURAL

WITHIN 1.5mm: ±0.1mm	UNITS	mm
OVER 1.5mm: ±0.2mm	MAT'L	SEE NOTE
	FINISH	SEE NOTE
	Q'TY	

**东莞市溪榜电子有限公司**

TITLE: PUSH SWITCH / VERTICAL	PART NO.:		
DR: <i>Ricky</i> 2017/05/15	DWG NO.:		
CHKD: <i>Ricky</i> 2017/05/15			
APPD:			
SCALE	SHEET	REV.	CUSTOMER DRAWING
5:1	1/1	A	

THESE DRAWINGS AND SPECIFICATIONS ARE THE PROPERTY OF ACCURATE INNOTECH INC AND SHALL NOT BE REPRODUCED, COPIED OR USED IN ANY MANNER WITHOUT THE PRIOR WRITTEN CONSENT OF ACCURATE INNOTECH INC.

