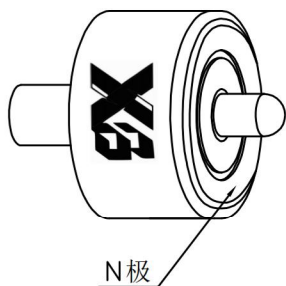
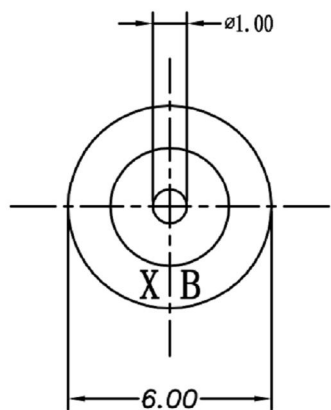
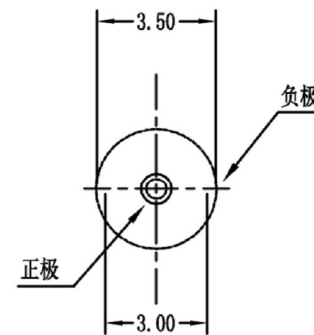
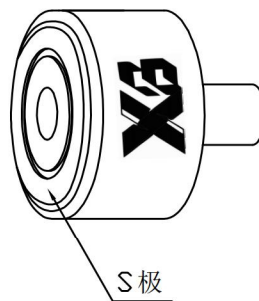


Bulk Bag :1000 PCS/BAG 磁吸连接器 DC插座

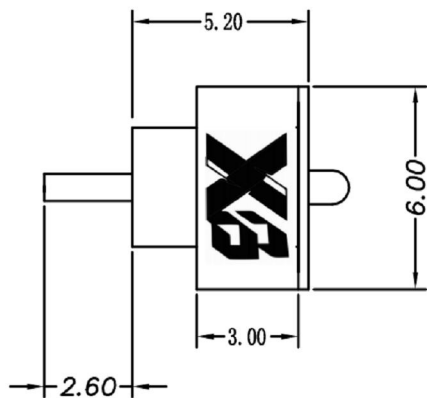
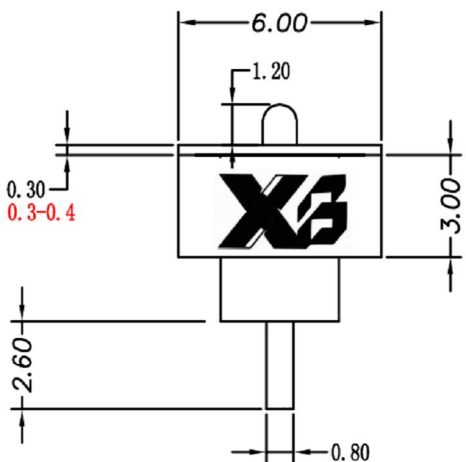
ROHS



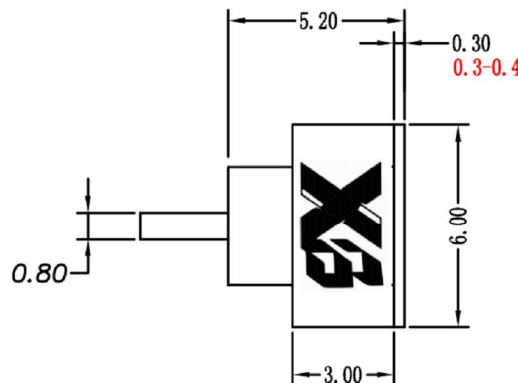
老款
直径Φ, 6



PCB LAYOUT TOP VIEW



XB-CT-902-6-H5-N极



XB-CT-902-6-H5-S极

静拉力130-170g

正极镀金1-3U, 负极铜套镀镍, 黄铜, 磁铁镀镍,

SPECIFICATION

1. Rating : DC 12V 30V, 1.0A 3.0A
2. Contact resistance : $\leq 30m\Omega$
3. Insulation resistance : $\geq 100M\Omega$
4. Withstand voltage : 500VAC
5. Insertion and extraction force : 3-20N
6. life test : 1,0000 cycles

序号	产品名称	数量	材料	规格	处理
④	塑胶	1	PBT		BLACK
③	磁铁	1			Nickel-Plated
②	铜针	1	BRASS		Au-Plated
①	铜套	1	BRASS		Nickel-Plated



东莞市溪榜电子有限公司
DONG GUAN XI BANG ELECTRONICS CO., LTD

TITLE : XB DC Power Jack Magnetic suction

MODEL : XB-CT-902-6-H5



TOLERANCE
 $\leq 1.5mm \pm 0.1$
 $> 1.5mm \pm 0.2$
 $\geq 10.0mm \pm 0.3$

ANGLE TOL
 $\pm 2^\circ$

UNIT : MM	DWN.	ZENQ. CHEN	DATE	
SCALE : 3 : 1	CHK'D	DONG. PANG	DATE	
VERSTON	01	APPD.	FEL. LONG. HE	DATE

NO.	PART NAME	MATERIAL	QTY.	FINISHING
6	PIN	BRASS	1	Ni PLATED
5	TERMINAL	BRASS STRIP t=0.3	1	Ag PLATED
4	SPRING TERMINAL C	PBS STRIP t=0.25	1	Ag PLATED
3	TERMINAL B	BRASS STRIP t=0.3	1	Ag PLATED
2	TERMINAL A	BRASS STRIP t=0.3	1	Ag PLATED
1	HOUSING	PBT UL94-V0	1	BLACK
NO.	PART NAME	MATERIAL	QTY.	FINISHING