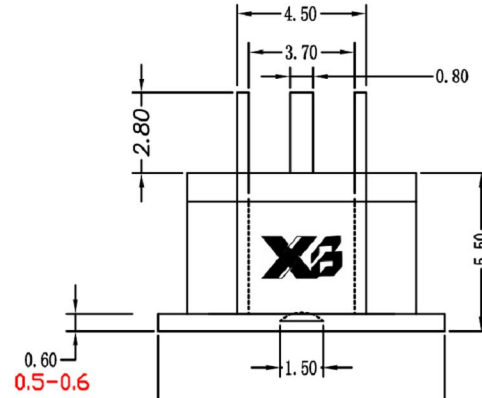
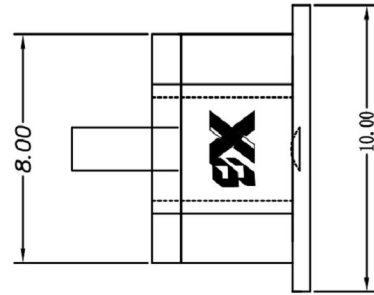
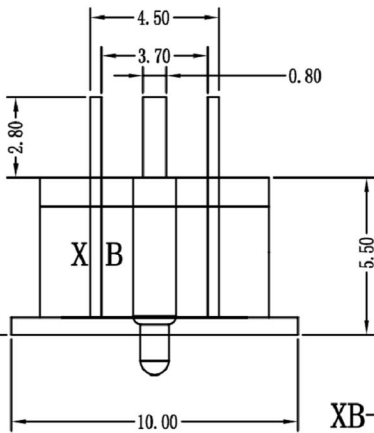
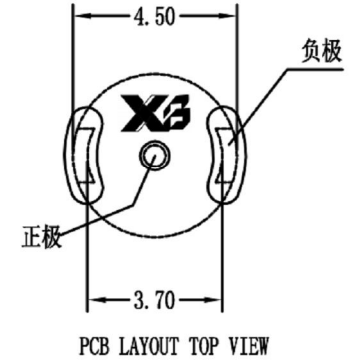
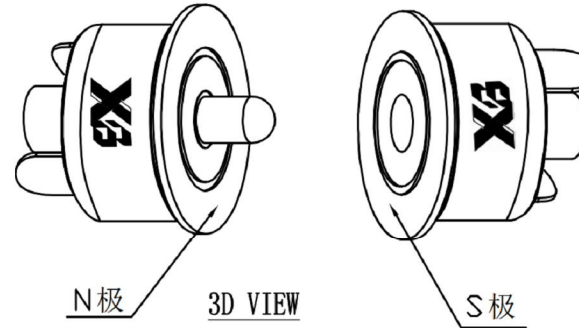
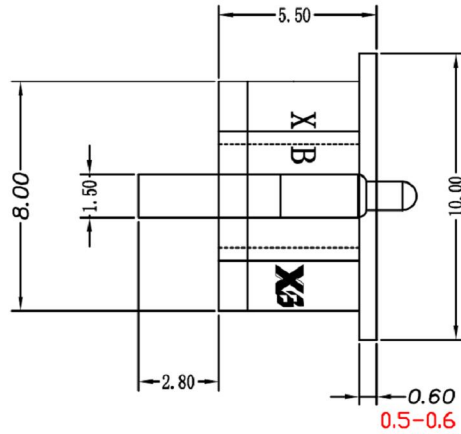
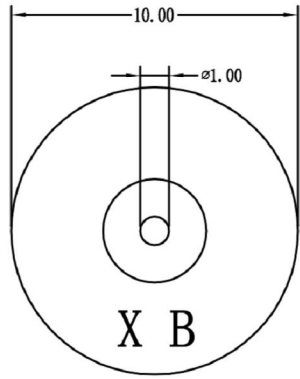


Bulk Bag :1000 PCS/BAG 磁吸连接器 DC插座

直径Φ,8.0 前直径Φ,10 脚位4.5x3.7

一套

ROHS



XB-CT-906B-8-10-H5-S极

SPECIFICATION

- Rating : DC 12V 30V, 1.0A 3.0A
- Contact resistance : $\leq 30m\Omega$
- Insulation resistance : $\geq 100M\Omega$
- Withstand voltage : 500VAC
- Insertion and extraction force : 3-20N
- life test : 1,0000 cycles

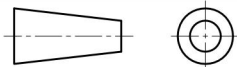
正极镀金1-3U, 负极铜套镀镍, 黄铜, 磁铁镀镍,



东莞市溪榜电子有限公司
DONG GUAN XI BANG ELECTRONICS CO., LTD

TITLE : XB DC Power Jack Magnetic suction

MODEL : XB-CT-906B-8-10-H5



UNIT : MM	DWN.	ZENQ. CHEN	DATE	TOLERANCE	ANGLE TOL
SCALE : 3 : 1	CHK'D	DONG. PANG	DATE	$\leq 1.5mm \pm 0.1$	$\pm 2^\circ$
VERSTON	APPD.	FET. LONG. HE	DATE	$> 1.5mm \pm 0.2$	
				$\geq 10.0mm \pm 0.3$	

序号	产品名称	数量	材料	规格	处理
④	塑胶	1	PBT		BLACK
③	磁铁	1			Nickel-Plated
②	铜针	1	BRASS		Au-Plated
①	铜套	1	BRASS		Nickel-Plated
6	PIN	1	BRASS		Ni PLATED
5	TERMINAL	1	BRASS STRIP	t=0.3	Ag PLATED
4	SPRING TERMINAL C	1	PBS STRIP	t=0.25	Ag PLATED
3	TERMINAL B	1	BRASS STRIP	t=0.3	Ag PLATED
2	TERMINAL A	1	BRASS STRIP	t=0.3	Ag PLATED
1	HOUSING	1	PBT UL94-V0		BLACK
NO.	PART NAME		MATERIAL	QTY.	FINISHING