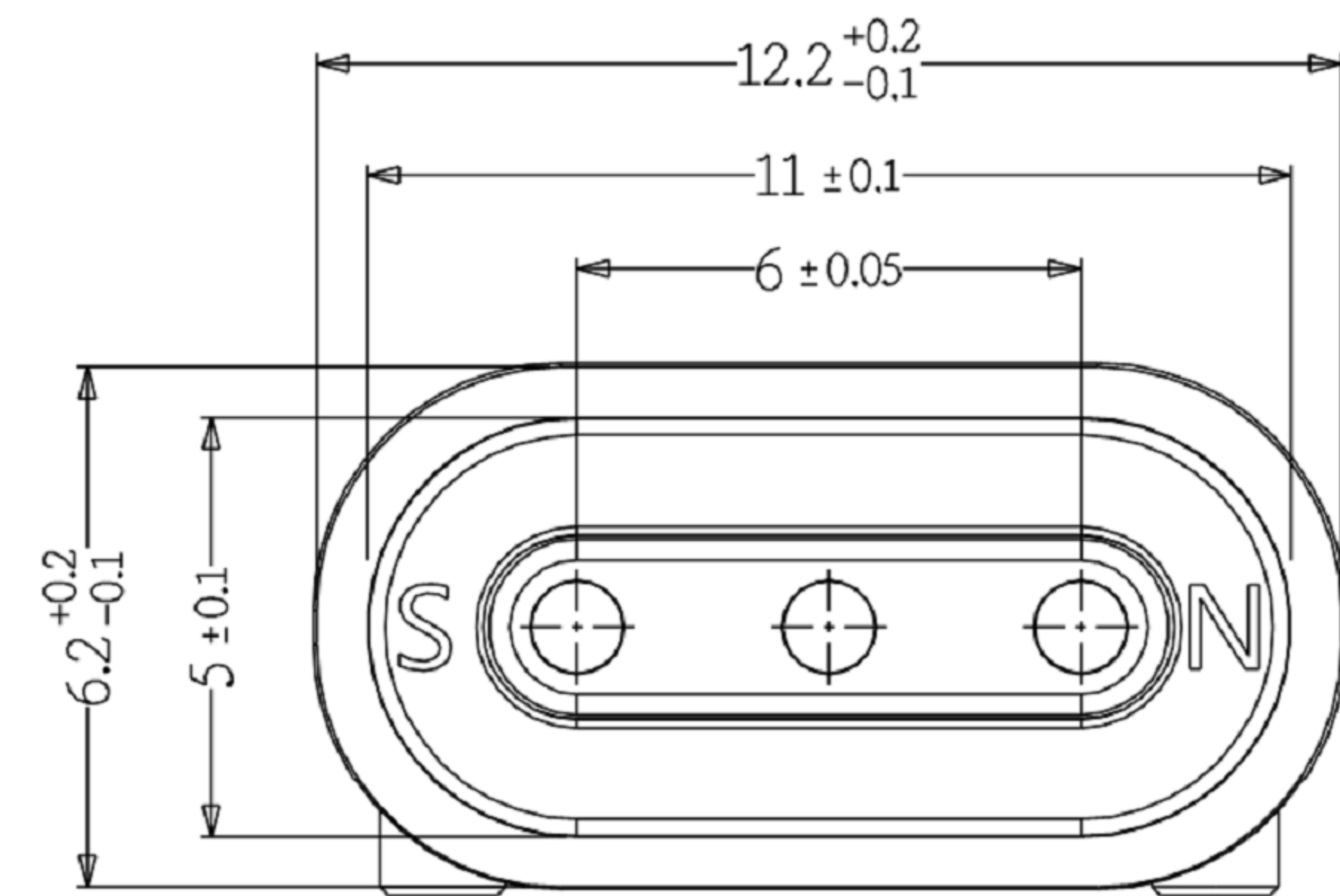
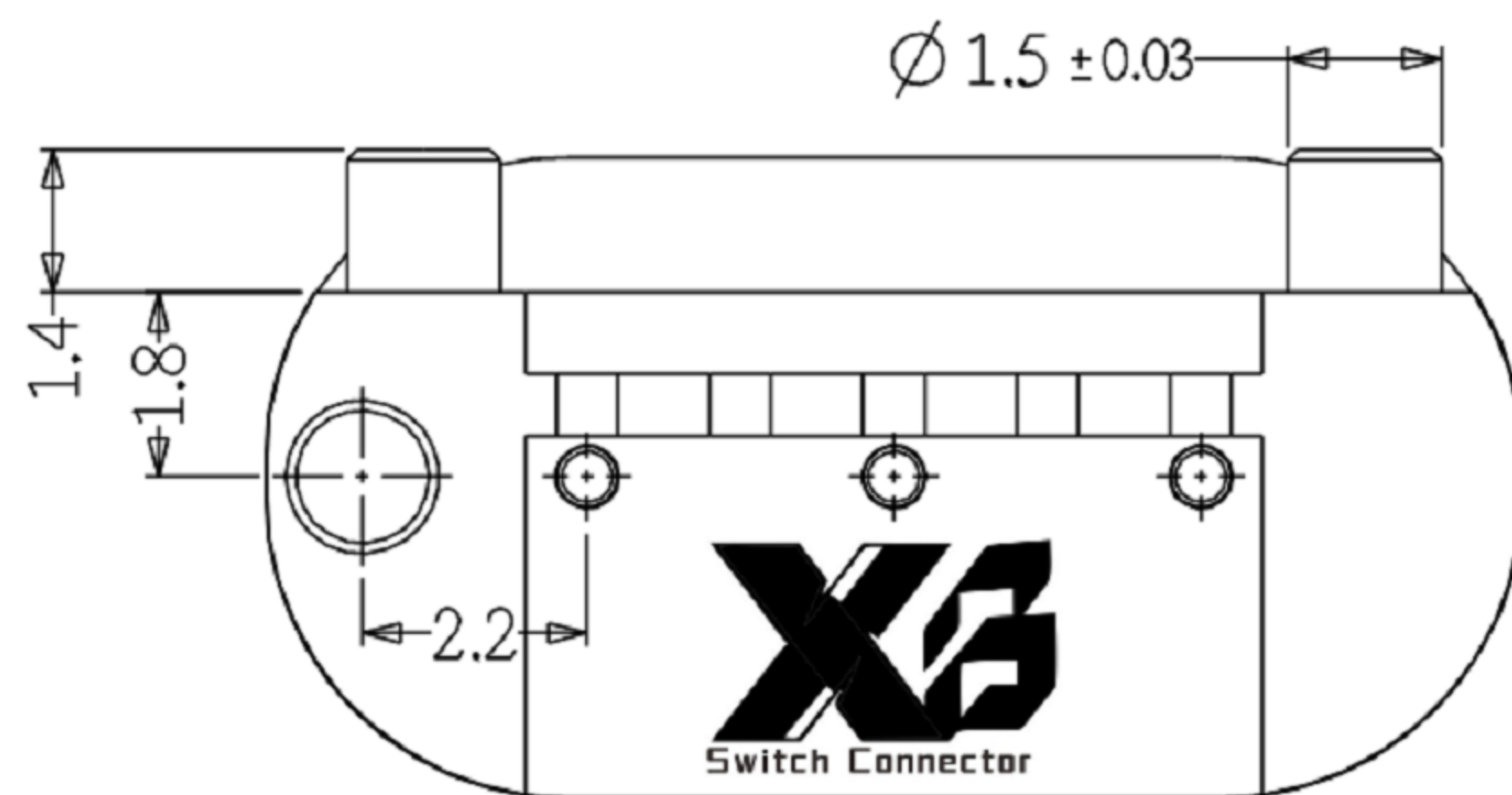


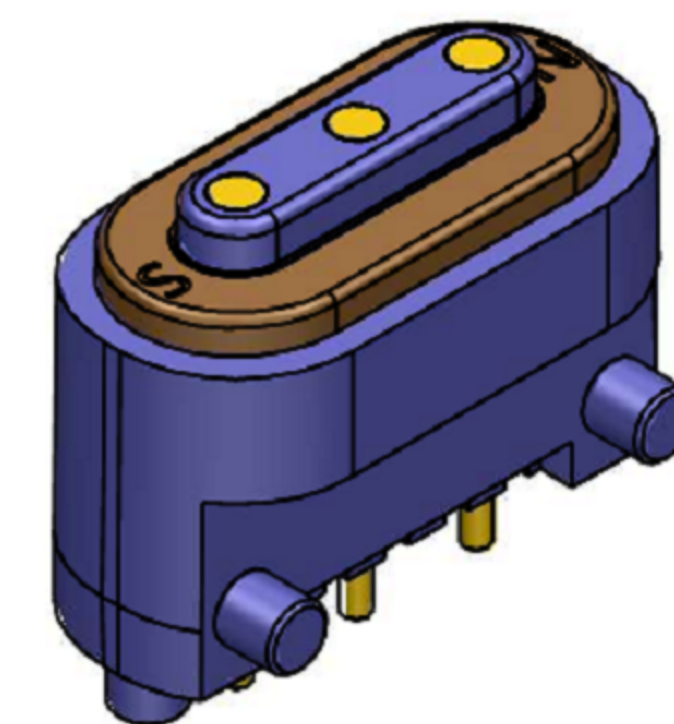
# RoHS



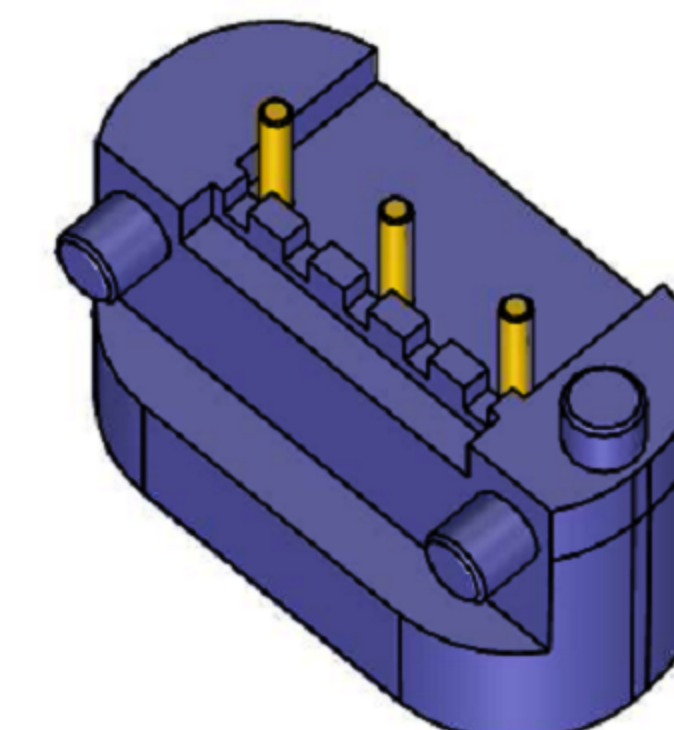
V SHELL GND  
VIEW Z  
SCALE 4/1



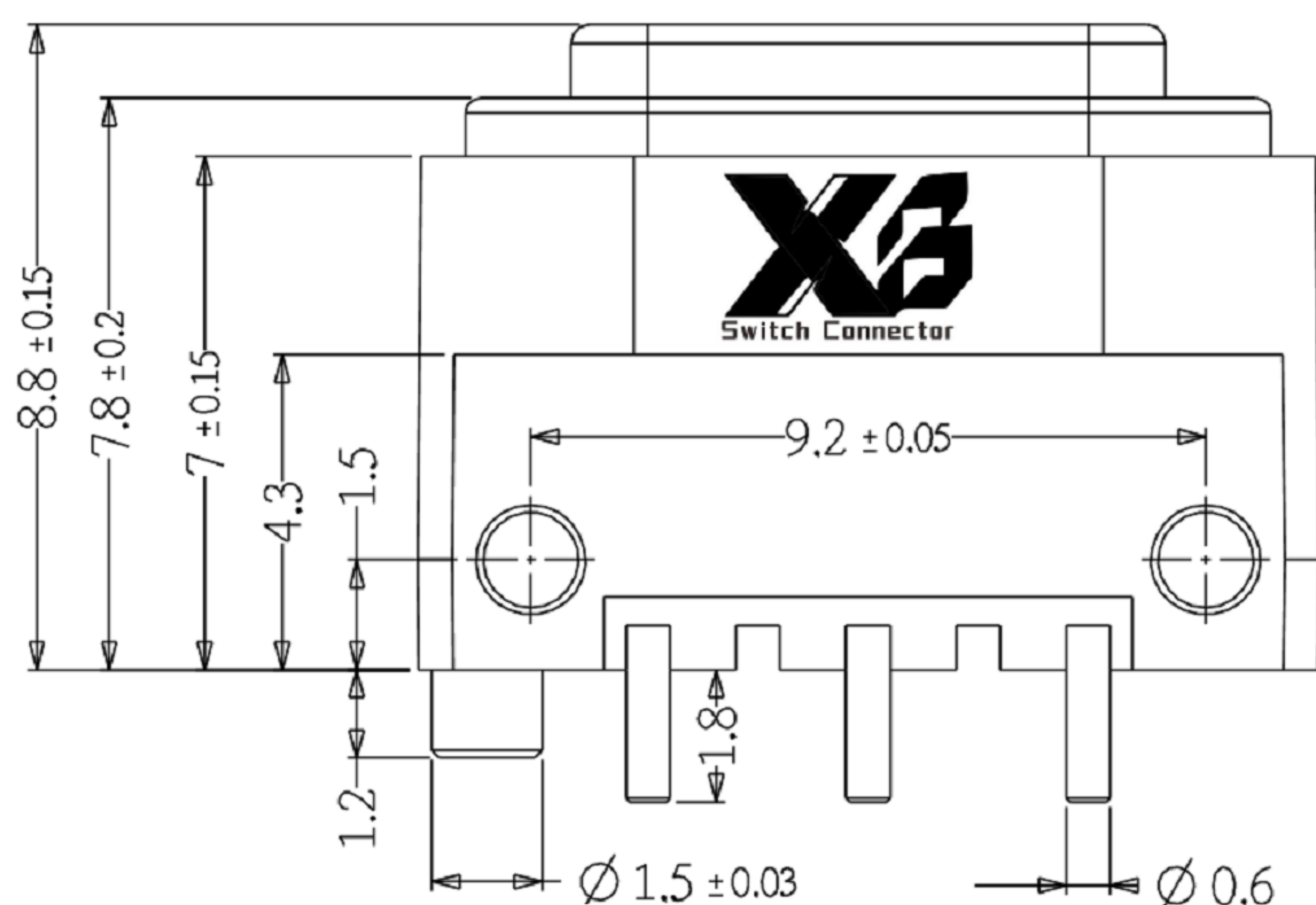
VIEW AA  
SCALE 4/1



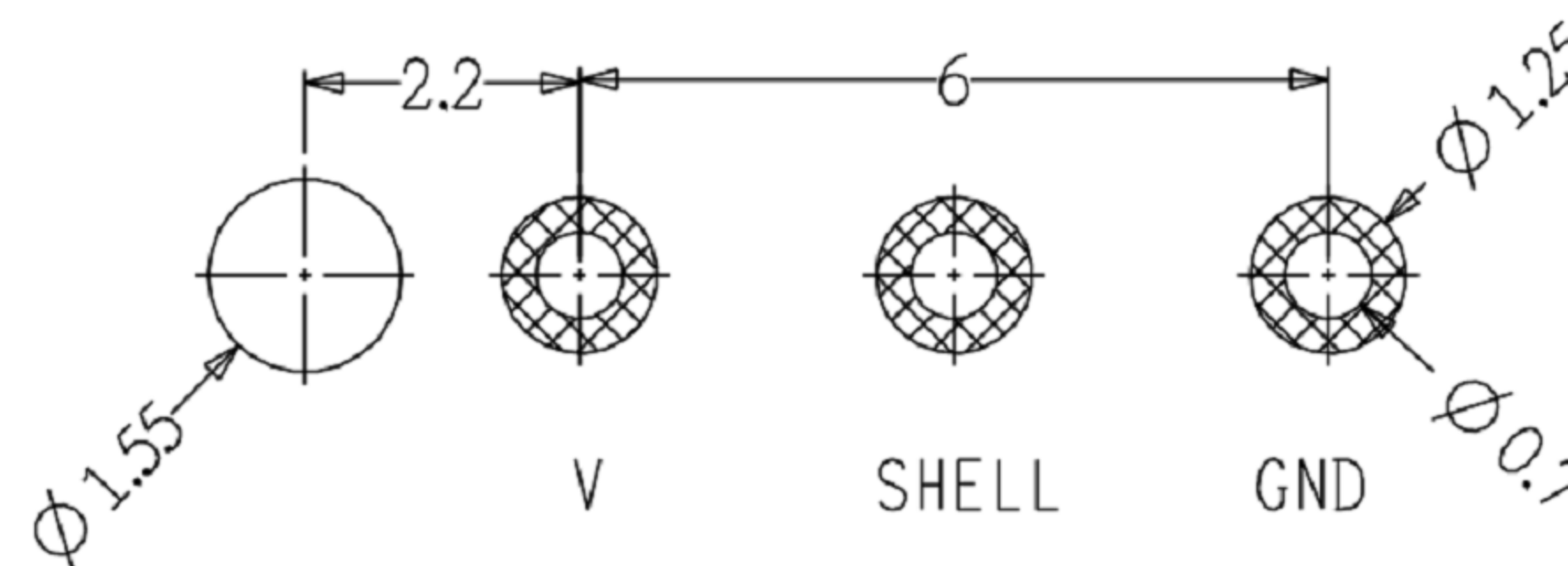
VIEW AB  
SCALE 2/1



VIEW X  
SCALE 2/1



VIEW W  
SCALE 4/1



Recommend PCB Layout (TOP VIEW)  
Layout Tolerance: ±0.05

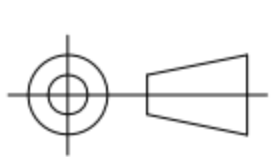
### NOTE

1. Material  
Plunger: Brass  
Barrel: Brass  
Spring: SUS  
Housing: PA46
2. Plating  
Plunger: Au over NI  
Barrel: Au over NI
3. Electrical  
Rated current & voltage: DC 12V; 2.0A Max.
4. Mechanical  
Spring force: 60g±20% at normal working height  
Durability: 10,000 cycles (minimum)
5. To ensure the best usage, please operate it based on the working height. Based on the engineering drawings, shall not exceed the maximum allowed compression.
6. To avoid arcing issue, The adaptor start to power supply after connector mated fully.

**X3** 东莞市溪榜电子有限公司  
DONG GUAN XI BANG ELECTRONICS CO., LTD.

TOLERANCE UNLESS OTHERWISE STATED:  
Up to 5 ± 0.2  
Above 5 ~ 15 ± 0.3  
Above 15 ~ 30 ± 0.4  
Above 30 ~ 50 ± 0.5  
Angle ± 0.3°

3RD.  
ANGEL'S



UNITS MM

DRAWN BY: DATE

Long. Liu. Ting 23. 4. 8

CHECKED BY: DATE

Lai. Hai. Jie 23. 4. 8

APPROVED BY: DATE

He. Long. Fei 23. 4. 8

MAT'L		TITLE	CONNECTOR
FINISH		MODLE	POGO PIN
SCALE	1 : 1	DWG NO.	<b>XB-PGC-CT-300M-3P-M</b>
SHEET NO.	1 of 1	PART NO.	<b>Magnetic PoGo Pin</b>
		SIZE	A4
		VER	R

ITEM NO. DESCRIPTION DRAWN DATE