

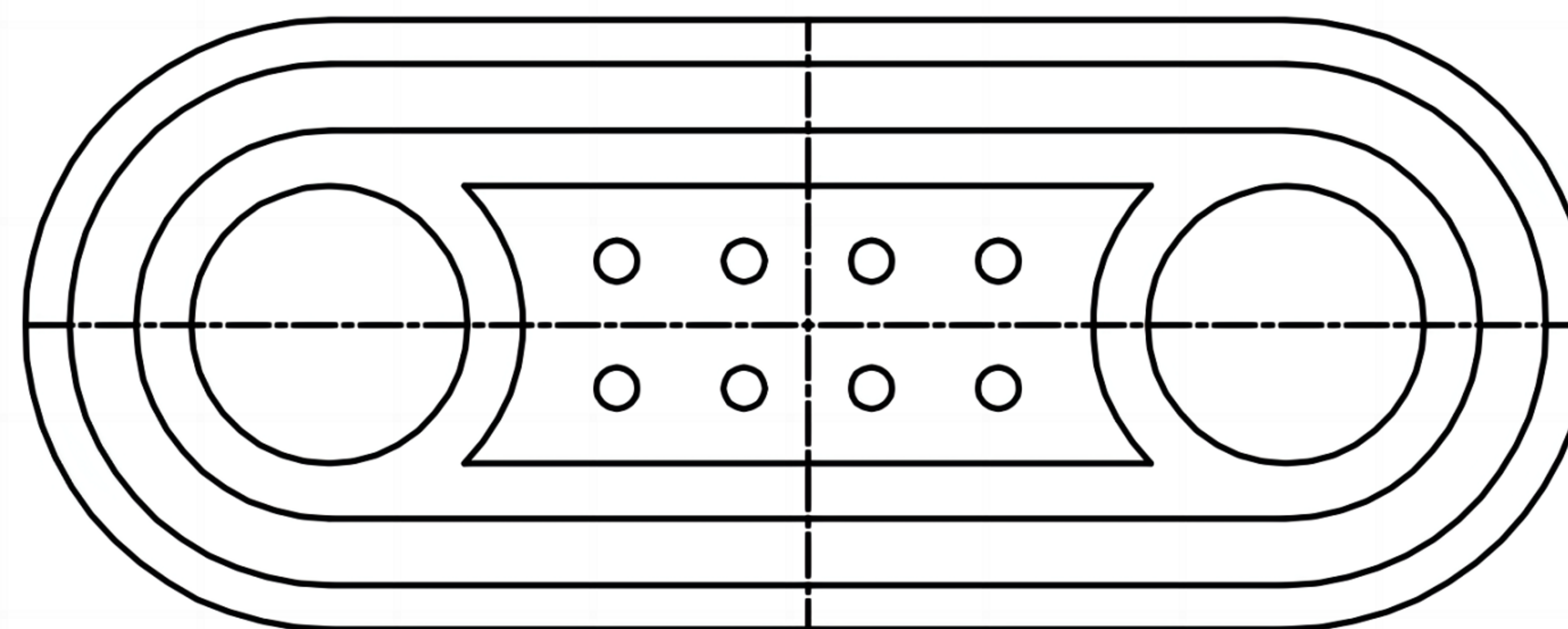
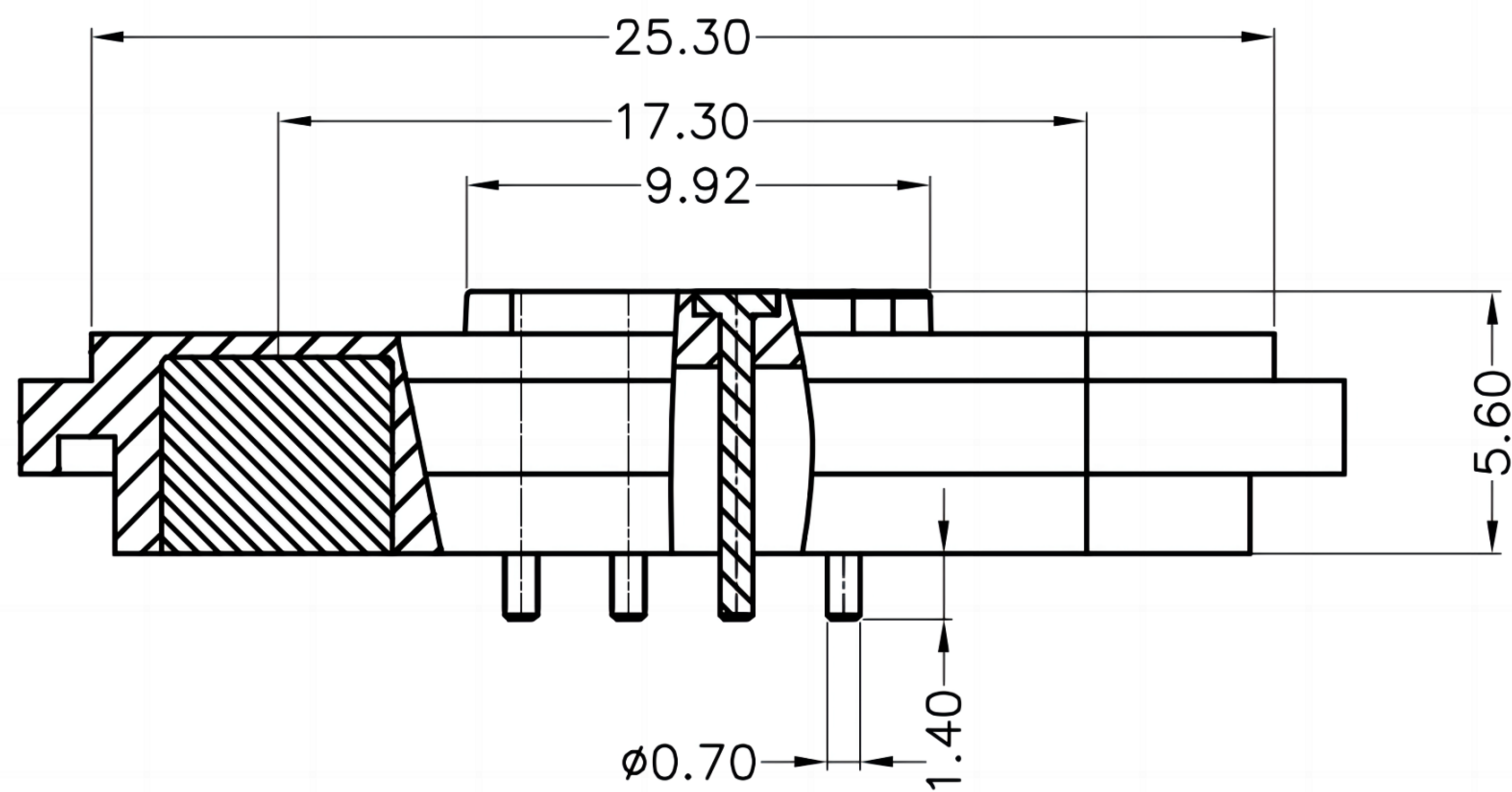
**Characteristics:**

**A. Material (材料)**

- 1) Housing: High Plastic Black (UL94V-0)
- 2) Plunger: brass c3604
- 3) Barrel: brass c3604
- 4) Spring: Stainless steel wire.

**B. Electrical (电性能)**

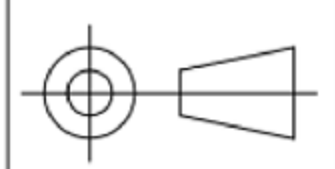
- 1) Operating voltage: 12V Max.
- 2) Operating current: 3A Max.



**东莞市溪榜电子有限公司**  
**DONG GUAN XI BANG ELECTRONICS CO., LTD.**

TOLERANCE UNLESS OTHERWISE STATED:  
 Up to 5 ±0.2  
 Above 5 ~ 15 ±0.3  
 Above 15 ~ 30 ±0.4  
 Above 30 ~ 50 ±0.5  
 Angle ±0.3°

3RD. ANGEL'S



UNITS MM

DRAWN BY: Jack Lu  
 CHECKED BY: Jacky Chen  
 APPROVED BY: Tony Kao  
 DATE: 04/01/21

MAT'L  
 FINISH  
 SCALE: 1:1  
 SHEET NO.: 1 of 1

TITLE: CONNECTOR  
 MODLE: POGO PIN  
 DWG NO.: **XB-PG-CT-230-8P-M**  
 PART NO.: **Magnetic PoGo Pin**

SIZE: A4  
 VER: R

ITEM NO.	DESCRIPTION	DRAWN	DATE