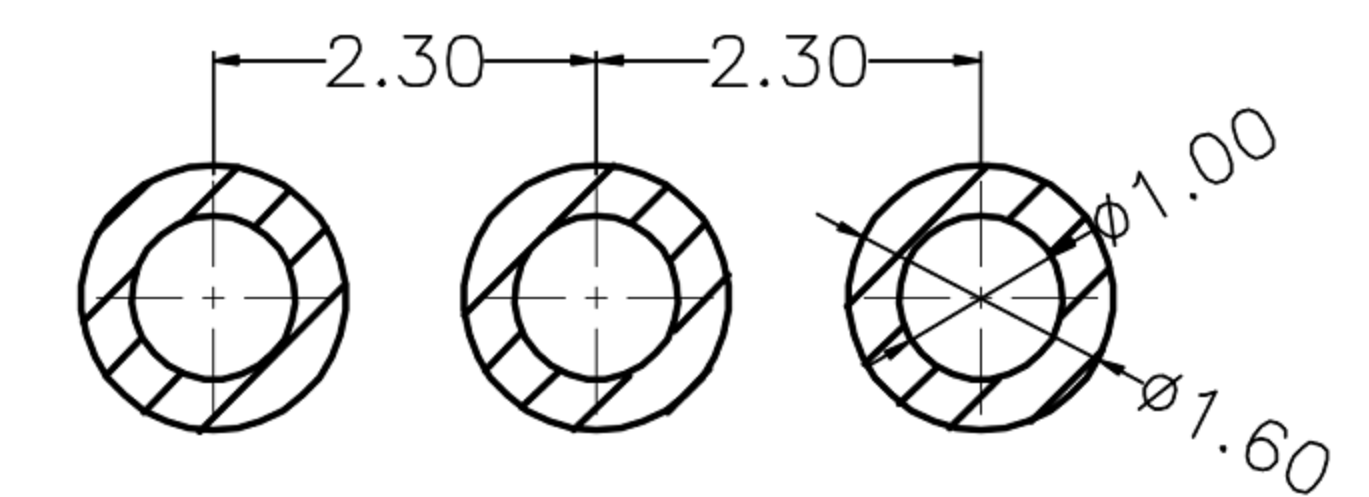
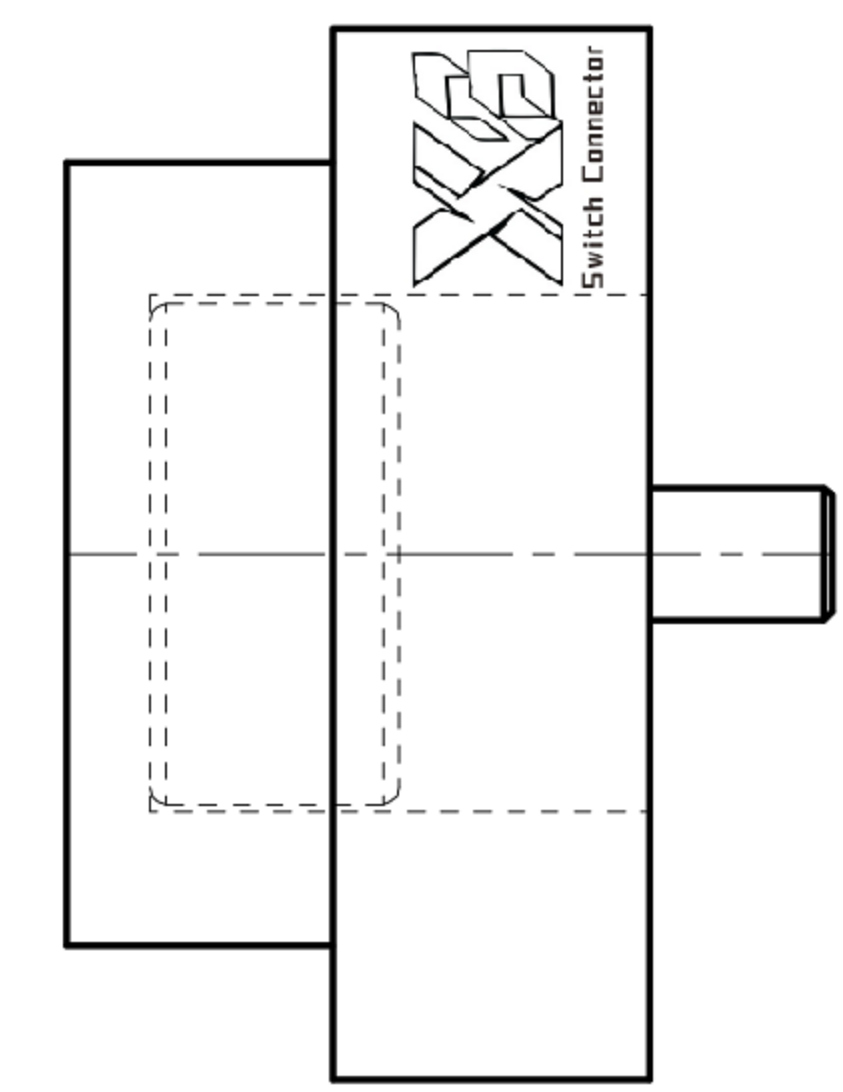
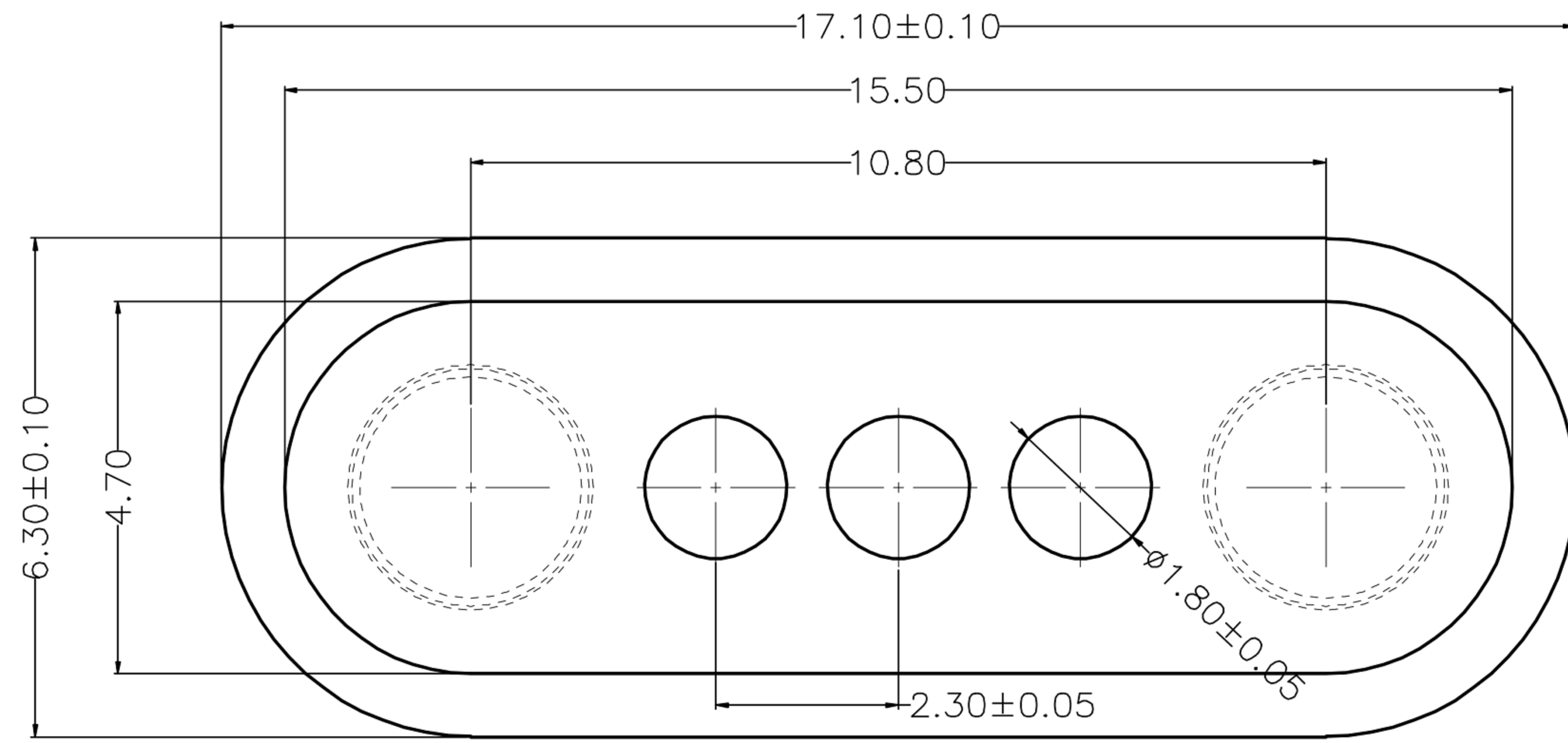
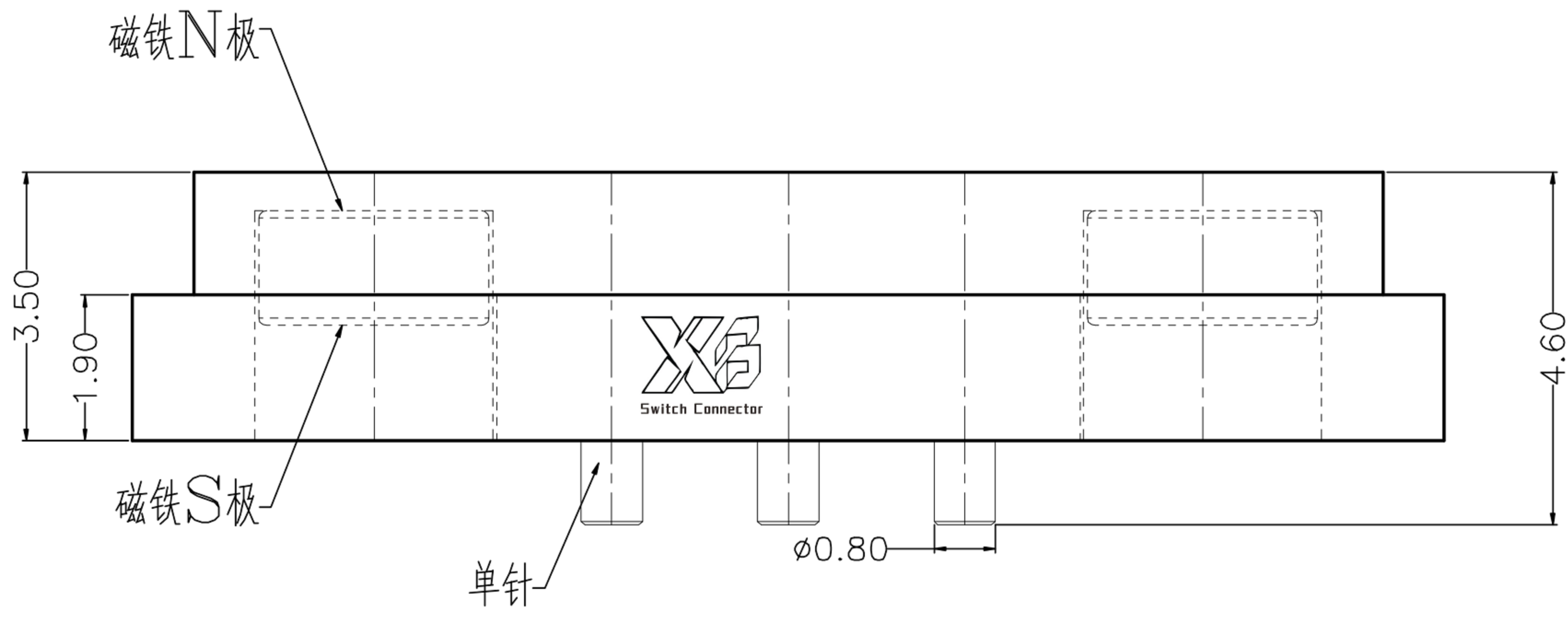


**RoHS**



**Recommended layout**  
**General tolerance: ±0.05mm**



图为焊盘位置和大小

**NOTE**

1. Material  
 Plunger: Brass  
 Barrel: Brass  
 Spring: SUS  
 Housing: PA46
2. Plating  
 Plunger: Au over NI  
 Barrel: Au over NI
3. Electrical  
 Rated current & voltage: DC 12V; 2.0A Max.
4. Mechanical  
 Spring force: 60g±20% at normal working height  
 Durability: 10,000 cycles(minimum)
5. To ensure the best usage, please operate it based on the working height Based on the engineering drawings, shall not exceed the maximum allowed compression
6. To avoid arcing issue, The adaptor start to power supply after connector mated fully.

**XGB** 东莞市溪榜电子有限公司  
 DONG GUAN XI BANG ELECTRONICS CO., LTD.

TOLERANCE UNLESS OTHERWISE STATED :  
 Up to 5 ±0.2  
 Above 5 ~ 15 ±0.3  
 Above 15 ~ 30 ±0.4  
 Above 30 ~ 50 ±0.5  
 Angle ±0.3°

3RD. ANGEL'S

UNITS MM

DRAWN BY:	DATE	MAT'L	TITLE	CONNECTOR
Jack Lu	04/01/21			
CHECKED BY:	DATE	FINISH	MODLE	POGO PIN
Jacky Chen	04/01/21			
APPROVED BY:	DATE	SCALE	DWG NO.	XB-PGC-CT-M-300M
Tony Kao	04/01/21	1:1	PART NO.	Magnetic PoGo Pin
SHEET NO.	1 of 1			

ITEM NO.	DESCRIPTION	DRAWN	DATE