

**NOTE**

- 1.Material  
Plunger: Brass  
Barrel: Brass  
Spring: SUS  
Housing: PA46
- 2.Plating  
Plunger: Au over NI  
Barrel: Au over NI
- 3.Electrical  
Rated current & voltage: DC 12V; 2.0A Max.
- 4.Mechanical  
Spring force: 60g±20% at normal working height  
Durability: 10,000 cycles(minimum)
- 5.To ensure the best usage,please operateit based on the working height Based on the engineering drawings,shall not exceed the maximum allowed compression
- 6.To avoid arcing issue, The adaptor startto power supply after connector mated fully.



**东莞市溪榜电子有限公司**  
DONG GUAN XI BANG ELECTRONI CS CO., LTD.

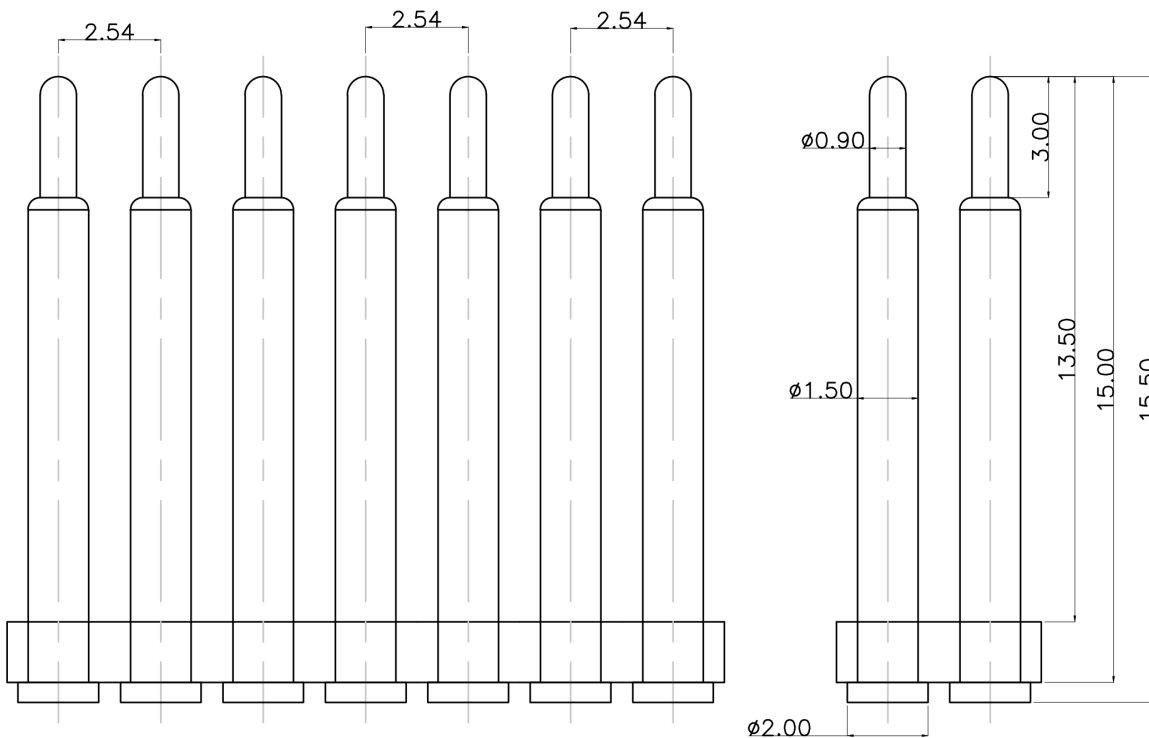
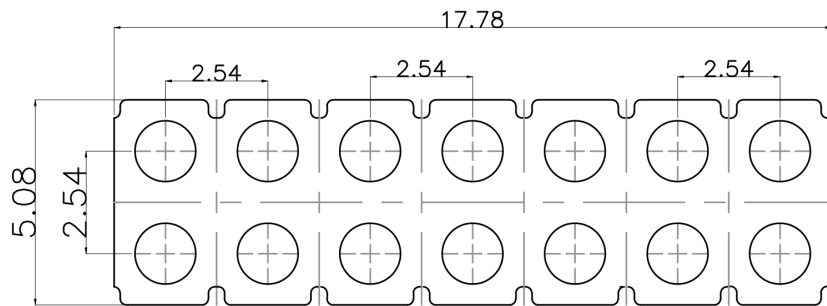
TOLERANCE UNLESS OTHERWISE STATED :  
Up to 5 ±0.2  
Above 5 ~ 15 ±0.3  
Above 15 ~ 30 ±0.4  
Above 30 ~ 50 ±0.5  
Angle ±0.3

3RD. ANGEL'S

UNITS MM

DRAWN BY:	DATE	MAT'L	TITLE	CONNECTOR
Jack Lu	04/01/21			
CHECKED BY:	DATE	FINISH	MODLE	POGO PIN
Jacky Chen	04/01/21			
APPROVED BY:	DATE	SCALE	DWG NO.	XB-PGC-SP-254-14P-G
Tony Kao	04/01/21	1 : 1		
SHEET NO.	1 of 1	PART NO.	Thimble Connector	
			SIZE	A4
			VER	R

ITEM NO.	DESCRIPTION	DRAWN	DATE



### NOTE

1. Material  
Plunger: Brass  
Barrel: Brass  
Spring: SUS  
Housing: PA46
2. Plating  
Plunger: Au over NI  
Barrel: Au over NI
3. Electrical  
Rated current & voltage: DC 12V; 2.0A Max.
4. Mechanical  
Spring force: 60g±20% at normal working height  
Durability: 10,000 cycles(minimum)
5. To ensure the best usage, please operate it based on the working height. Based on the engineering drawings, shall not exceed the maximum allowed compression.
6. To avoid arcing issue, The adaptor start to power supply after connector mated fully.



**东莞市溪榜电子有限公司**  
DONG GUAN XI BANG ELECTRONICS CO., LTD.

TOLERANCE UNLESS OTHERWISE STATED:  
Up to 5 ±0.2  
Above 5 - 15 ±0.3  
Above 15 - 30 ±0.4  
Above 30 - 50 ±0.5  
Angle ±0.3°

3RD. ANGEL'S



UNITS

MM

DRAWN BY:	DATE
Jack Lu	04/01/21
CHECKED BY:	DATE
Jacky Chen	04/01/21
APPROVED BY:	DATE
Tony Kao	04/01/21

MATL		TITLE	CONNECTOR
FINISH		MODLE	POGO PIN
SCALE	1 : 1	DWG NO.	XB-PGC-SP-254-14P-G
SHEET NO.	1 of 1	PART NO.	Thimble Connector
		SIZE	A4
		VER	R

ITEM NO.	DESCRIPTION	DRAWN	DATE