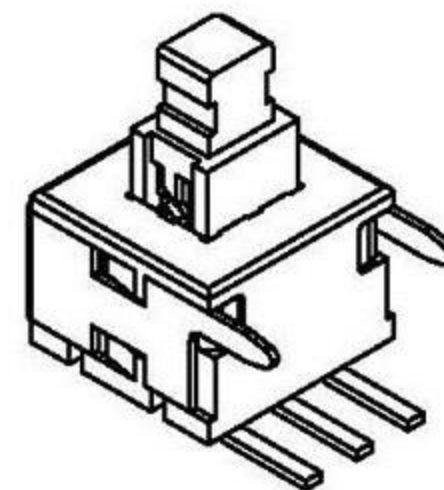
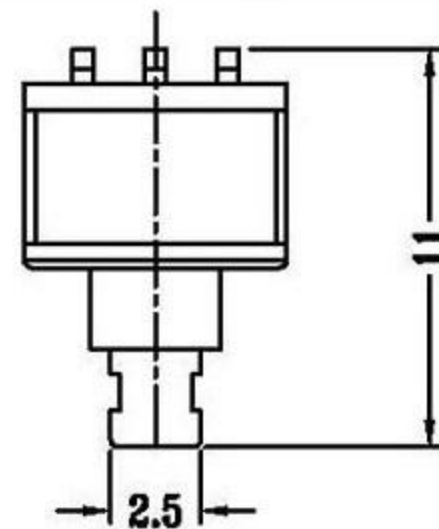


SCHEMATIC (NON-SHORTING)



8					TOLERANCE UNLESS SPECIFIED				
7					WITHIN 1.5mm : ±0.1mm	A	2016-10-14	初版	
6					OVER 1.5mm : ±0.2mm	ISSUE	DATE	DESCRIPTIONS OF REVISION	APPD.
5	SPRING	SUS304	1	NATURAL	TITLE : VERTICAL PUSH SWITCH		UNIT : mm	DRWG NO.:	
4	CAM STICK	SUS304	1	NATURAL	MODEL:		SCALE: 5:1	DWN.	2016-10-14
3	CASE	PA66/BRASS STRIP	1	GREY/Ag PLATED	东莞市溪榜电子有限公司			CHK'D	2016-10-14
2	COVER	PA66+15%F.G	1	BLACK				APPD.	
1	KNOB	PA66+15%F.G/PBS STRIP	1	BLACK/Ag CLAD					
NO.	PARTS	MATERIALS	Q'TY						