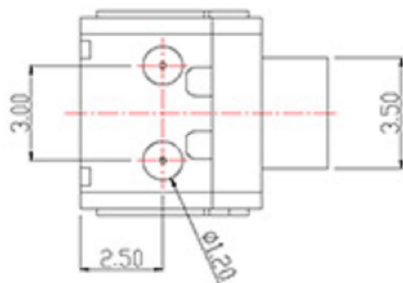
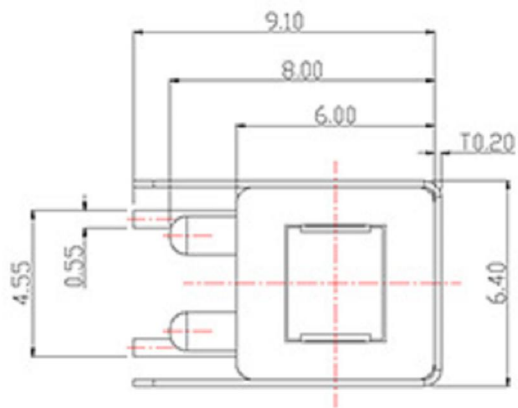
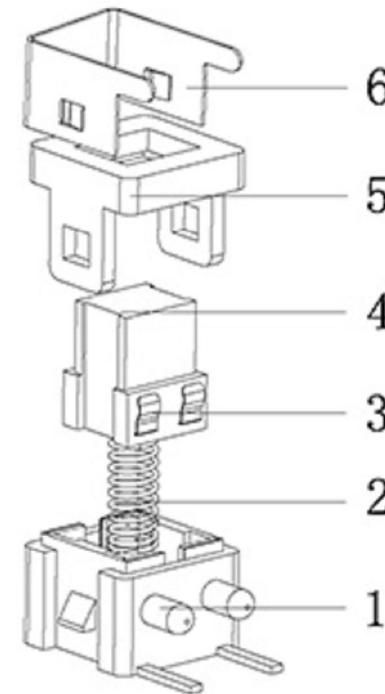


ROHS

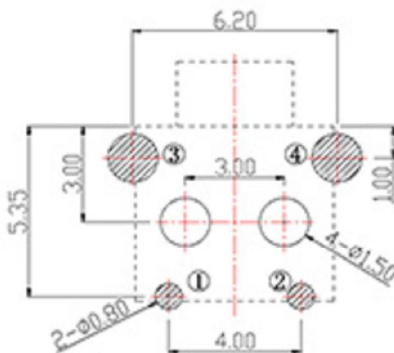
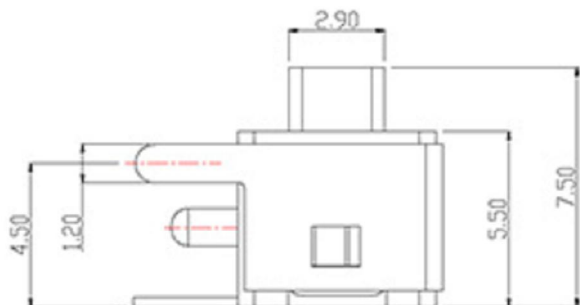


电路图

正常电路状态	受力电路状态
行程状态: 0-0.7 (mm)	行程状态: 0.7-2.0 (mm)
正常: 电路导通	受力: 电路断开



印制板安装孔



SPECIFICATION (INITIAL)

RATING:	DC 50V 0.5A
CONTACT RESISTANCE:	Not more than 30mΩ
INSULATION RESISTANCE:	500MΩ at 500V DC
WITHSTAND VOLTAGE:	AC 500V for 1 min
OPERATION FORCE:	160gf ± 50gf
SWITCHING LIFE:	10K Cycles (6-10c/m loading)

The material contained in this drawing is the property of XiBang. Any use other than that specifically authorized by XiBang is prohibited. The above drawing IS subjected to change for improvement without prior notice.

东莞市溪榜电子有限公司					DONG GUAN XI BANG ELECTRONICS CO., LTD						
TITLE : VERTICAL PUSH SWITCH											
MODEL : XB-5858C-PT											
UNIT : MM	DWN.	ZENQ. CHEN	DATE		TOLERANCE	ANGLE TOL					
SCALE : 2 : 1	CHK'D	PENG. GAO	DATE		$\le 1.5\text{mm} \pm 0.1$ > 1.5mm ± 0.2 >=10.0mm ± 0.3	± 2°					
VERSION	01	APPD.	DONG. PANG	DATE							
							7	HOOK NEEDLE	STEEL WIRE	1	NATURAL
							6	SPRING	STEEL WIRE	1	NATURAL
							5	CONTACT	PBS	1	Ag PLATED
							4	TERMINAL	BRASS STRIP	6	Ag PLATED
							3	CASE	NYLON	1	BLACK
							2	COVER	NYLON	1	BEIGE
							1	KNOB	POM	1	WHITE
							NO.	PART NAME	MATERIAL	QTY.	FINISHING