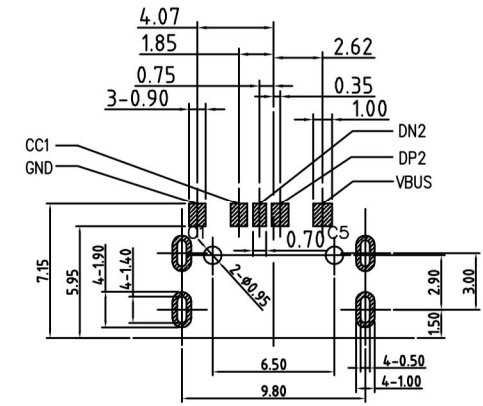
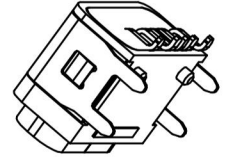
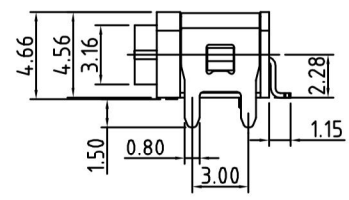
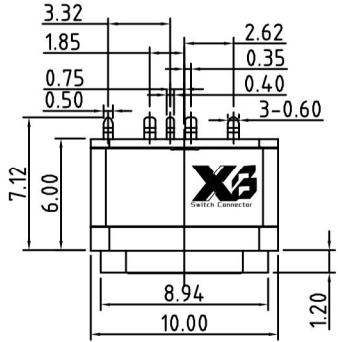
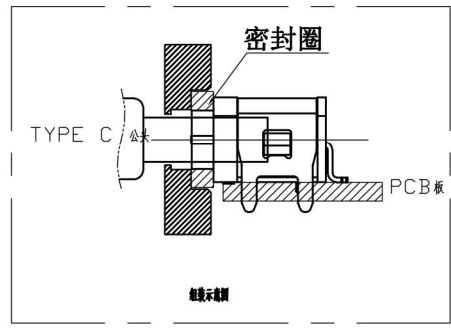
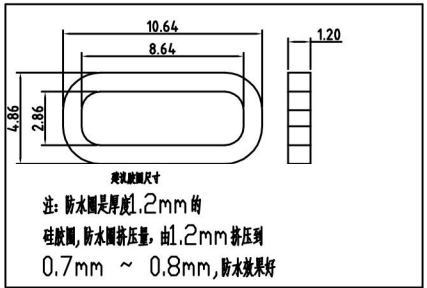
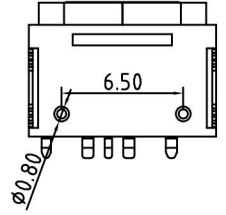
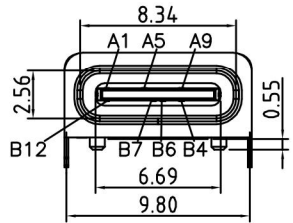


ROHS

| REV. | ECN. NO. | APPD. |
|------|----------|-------|
| | | |



RECOMMENDED PCB LAYOUT(TOP VIEW)
 THICKNESS T=1.0mm
 DEFAULT TOLERANCE+/-0.05



NOTES:
 SPECIFICATION:

- CURRENT RATING: 3.0A MAX
- DIELECTRIC WITHSTAND VOLTAGE: 100VAC
- TEMPERATURE RANGE: -30 °C ~ 85 °C
- CONTACT RESISTANCE: 40 MILLIONHM MAX
- INSULATION RESISTANCE: 100 MEGOHMS MIN.
- INSERTION FORCE : 5N~20N
- UNMATING FORCE: 8N~20N
- DURABILITY:5000 CYCLES

INTERFACE(FRONT VIEW)

| | | | | | | | | | | | |
|-----|-----|-----|----|-----|-----|----|----|------|-----|-----|-----|
| A1 | A2 | A3 | A4 | A5 | A6 | A7 | A8 | A9 | A10 | A11 | A12 |
| GND | | | | CC1 | | | | VBUS | | | |
| GND | | | | DN2 | DP2 | | | VBUS | | | |
| B12 | B11 | B10 | B9 | B8 | B7 | B6 | B5 | B4 | B3 | B2 | B1 |

PIN ASSIGNMENT

| | | | | | |
|-------------|--------|-----|-----|-----|-------|
| PIN NO. | A1&B12 | A5 | B7 | B6 | A9&B4 |
| SINGAL NAME | GND | CC1 | DN2 | DP2 | VBUS |
| PCB PAD NO. | C1 | C2 | C3 | C4 | C5 |

| | | | | |
|------|----------|------|---|---|
| 5 | Shell2 | 1 | SUS304 Ni Plating T=0.20mm | Ni40~120u ² |
| 4 | Shell1 | 1 | SUS304 Ni Plating T=0.3mm | Ni40~120u ² |
| 3 | Housing2 | 1 | LCP(G.F30%) | |
| 2 | Contact | 4 | Phosphor bronze C5191R-H Au/Ni Plating T=0.25mm | Ni40~160u ² ; AuCONTACT AREA=3u ² |
| 1 | Housing | 1 | PA9T (G.F30%) | |
| ITEM | PARTNAME | Q'TY | FINISH | NOTE |

| | | | | | |
|------|--------|-------|--------|--------|----|
| X. | ±0.50 | X.* | ± 2° | UNITS | mm |
| .X | ±0.30 | .X.* | ± 1° | | |
| .XX | ±0.10 | .XX.* | ± 0.5° | MAT'L | |
| .XXX | ± 0.05 | | | FINISH | |
| | | | | Q'TY | |

东莞市溪榜电子有限公司
 DONG GUAN XI BANG ELECTRONICS CO., LTD

| | | | |
|----------|-----------------------|----------|-------------------------|
| PART NO. | XB-USB-C-5P-1147-IPX7 | TITLE: | TYPE C 7Pin SMT Type 特特 |
| APPD: | GAO. PENG | DWG NO.: | XB-USB-C-5P-1147-IPX7 |
| CHKD: | HE. LONG. FEI | SCALE | SHEET |
| DR: | PANG. DONG | 1/1 | 1/2 |
| | | REV. | A1 |