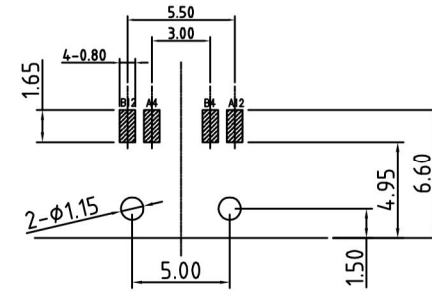
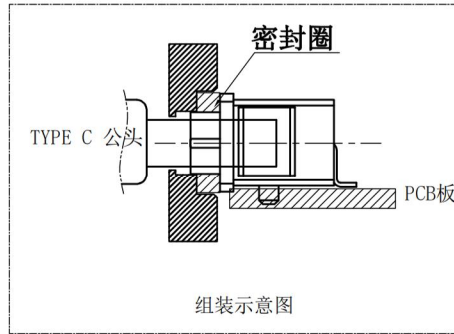
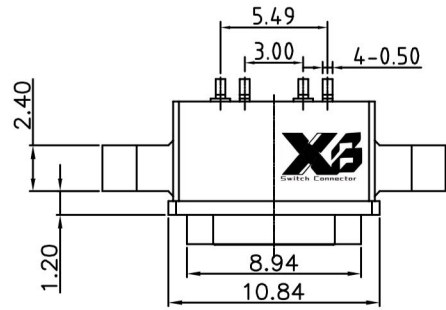


ROHS

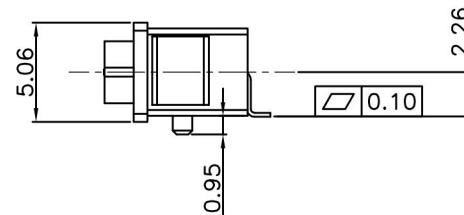
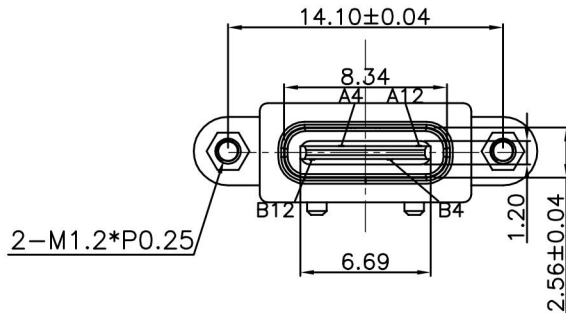
REV.	ECN. NO.	APPD.



RECOMMENDED PCB LAYOUT(TOP VIEW)

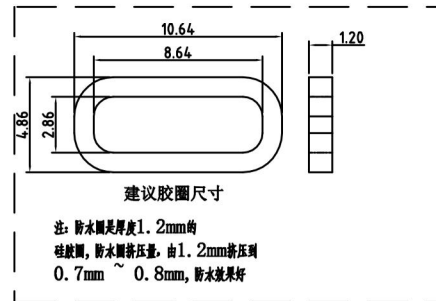
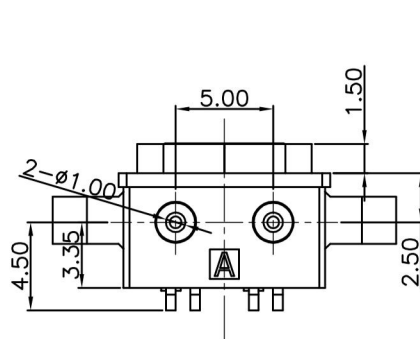
THICKNESS T=1.0mm
DEFAULT TOLERANCE+/-0.05

A4	VBUS	B12	GND
A12	GND	B4	VBUS
PIN	SIGNAL NAME	PIN	SIGNAL NAME



NOTES:
SPECIFICATION:

1. CURRENT RATING: 3.0A MAX
2. DIELECTRIC WITHSTAND VOLTAGE: 100VAC
3. TEMPERATURE RANGE: -30 °C ~ 85 °C
4. CONTACT RESISTANCE: 40 MILLIONHM MAX
5. INSULATION RESISTANCE: 100 MEGOHMS MIN.
6. INSERTION FORCE : 5N~20N
7. UNMATING FORCE: 8N~20N
8. DURABILITY:5000 CYCLES



		1		
4	Shell1	1	SUS304 Ni Plating T=0.3mm	Ni:40~120u";
3	Housing2	1	LCP(G.F30%)	
2	Contact	4	Phosphor bronze C5210R-EH Au/Ni Plating T=0.20mm	Ni:40~160u"; Au:CONTACT AREA:3u", OTHER AREA:G/F
1	Housing	1	PA9T (G.F30%)	
ITEM	PARTNAME	Q'TY	FINISH	NOTE

X. ±0.50	X.° ± 2°	UNITS mm	东莞市溪榜电子有限公司 DONG GUAN XI BANG ELECTRONICS CO., LTD
.X ±0.30	.X° ± 1°		
.XX ±0.10	.XX° ± 0.5°		
.XXX ± 0.05		MAT'L	PART NO. XB-USB-C-4P-1130-IPX7 TITLE: TYPE C 4Pin SMT 封装
FINISH			APPD: GAO. PENG CHKD: HE. LONG. FEI DR: PANG. DONG
Q'TY			DWG NO. : XB-USB-C-4P-1130-IPX7
			SCALE SHEET REV. 1/1 1/2 A1