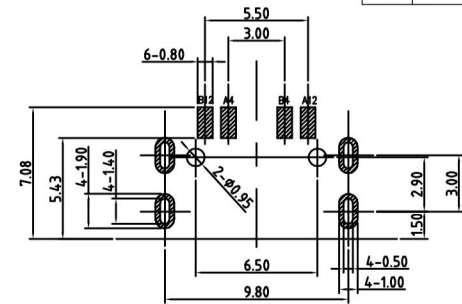
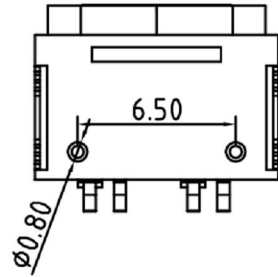
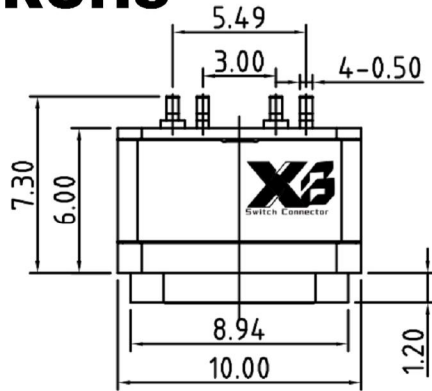


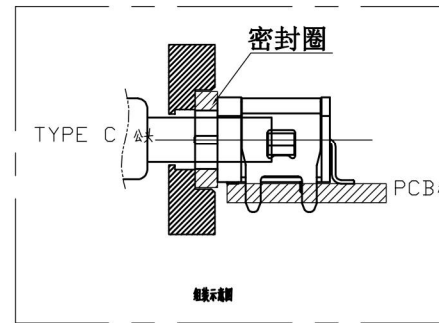
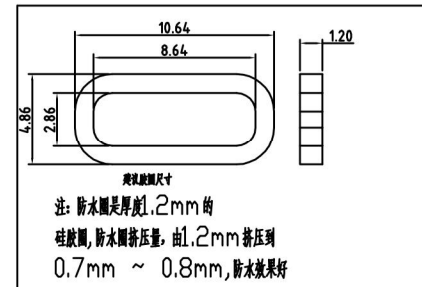
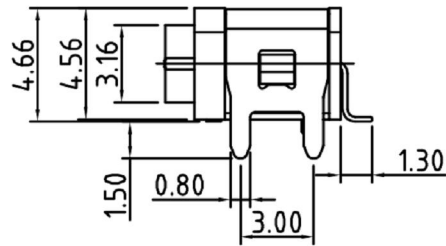
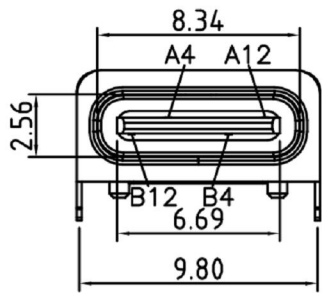
ROHS

REV.	ECN. NO.	APPD.



RECOMMENDED PCB LAYOUT(TOP VIEW)

THICKNESS T=1.0mm
DEFAULT TOLERANCE+/-0.05



NOTES:

SPECIFICATION:

1. CURRENT RATING: 3.0A MAX
2. DIELECTRIC WITHSTAND VOLTAGE: 100VAC
3. TEMPERATURE RANGE: -30 °C ~ 85 °C
4. CONTACT RESISTANCE: 40 MILLIONHM MAX
5. INSULATION RESISTANCE: 100 MEGOHMS MIN.
6. INSERTION FORCE : 5N~20N
7. UNMATING FORCE: 8N~20N
8. DURABILITY:5000 CYCLES

A4	VBUS	B12	GND
A12	GND	B4	VBUS
PIN	SIGNAL NAME	PIN	SIGNAL NAME

5	Shell2	1	SUS304 Ni Plating T=0.20mm	Ni40~120u ²
4	Shell1	1	SUS304 Ni Plating T=0.3mm	Ni40~120u ²
3	Housing2	1	LCP(G.F30%)	
2	Contact	4	Phosphor bronze C5210R-EH Au/Ni Plating T=0.20mm	Ni40~160u ² ; Au CONTACT AREA:3u ² ; OTHER AREA:G/F
1	Housing	1	PA9T (G.F30%)	
ITEM	PARTNAME	Q'TY	FINISH	NOTE

X.	±0.50	X.*	± 2°	UNITS	mm
.X	±0.30	.X.*	± 1°		
.XX	±0.10	.XX.*	± 0.5°	MAT'L	/
.XXX	± 0.05			FINISH	/
				Q'TY	/

XB 东莞市溪榜电子有限公司
DONG GUAN XI BANG ELECTRONICS CO., LTD

PART NO.	XB-USB-C-4P-1122-IPX7	TITLE:	TYPE C 4Pin SMT Type
APPD:	GAO. PENG	DWG NO.:	XB-USB-C-4P-1122-IPX7
CHKD:	HE. LONG. FEI	SCALE	SHEET
DR:	PANG. DONG	1/1	1/2

SCALE	SHEET	REV.
1/1	1/2	A1