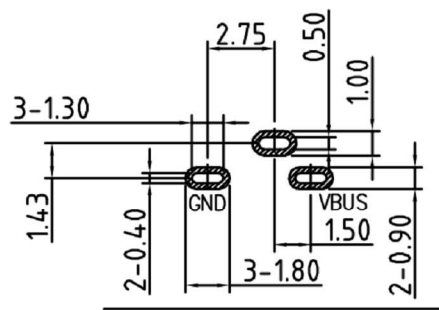
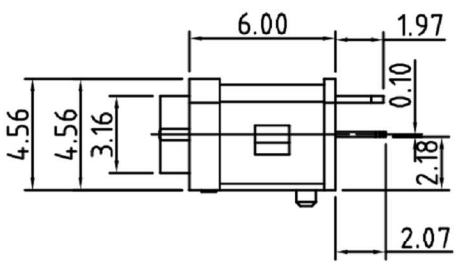
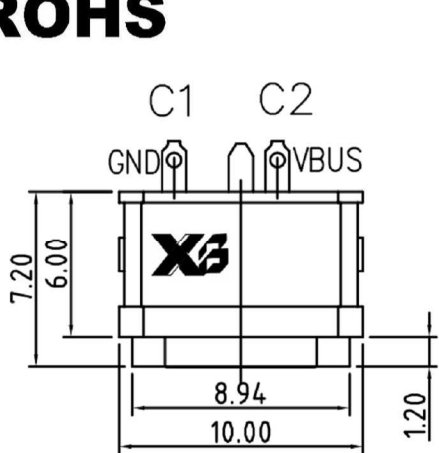


ROHS

REV.	ECN. NO.	APPD.



RECOMMENDED PCB LAYOUT(TOP VIEW)

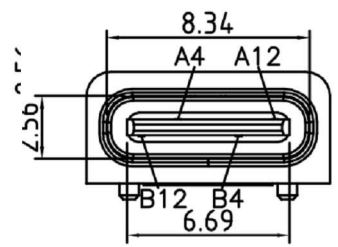
THICKNESS T=1.0mm
DEFAULT TOLERANCE+/-0.05

INTERFACE(FRONT VIEW)

A1	A2	A3	A4	A5	A6	A7	A8	A9	A10	A11	A12
GND			VBUS						VBUS		GND
B12	B11	B10	B9	B8	B7	B6	B5	B4	B3	B2	B1

PIN ASSIGNMENT

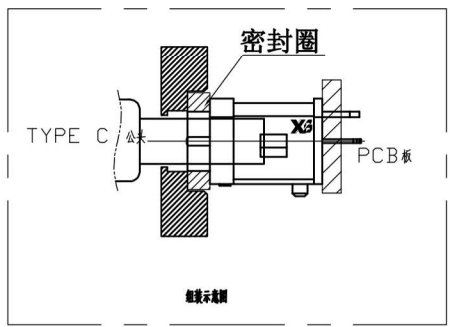
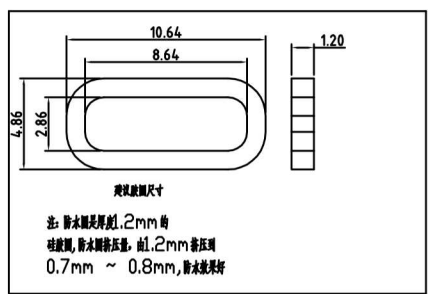
PIN NO.	A12&B12	A4&B4
SIGNAL NAME	GND	VBUS
PCB PAD NO.	C1	C2



NOTES:

SPECIFICATION:

- CURRENT RATING: 3.0A MAX
- DIELECTRIC WITHSTAND VOLTAGE: 100VAC
- TEMPERATURE RANGE: -30 °C ~ 85 °C
- CONTACT RESISTANCE: 40 MILLIONHM MAX
- INSULATION RESISTANCE: 100 MEGOHMS MIN.
- INSERTION FORCE : 5N~20N
- UNMATING FORCE: 8N~20N
- DURABILITY:5000 CYCLES



4	Shell1	1	SUS304 Ni Plating T=0.3mm	Ni40~120u'j
3	Housing2	1	LCP(G.F30%)	
2	Contact	4	Phosphor bronze C5210R-EH Au/Ni Plating T=0.20mm	Ni40~160u'j Au CONTACT AREA:3u OTHER AREA:G/F
1	Housing	1	PA9T (G.F30%)	
ITEM	PARTNAME	Q'TY	FINISH	NOTE

X.	±0.50	X.*	± 2°	UNITS mm	东莞市溪榜电子有限公司 DONG GUAN XI BANG ELECTRONICS CO., LTD				
.X	±0.30	.X.*	± 1°						
.XX	±0.10	.XX.*	± 0.5°	MAT'L	PART NO. XB-USB-C-2P-1125				
.XXX	± 0.05				FINISH	TITLE:			
THESE DRAWINGS AND SPECIFICATIONS ARE THE PROPERTY OF XI BANG ELECTRONIC TECHNOLOGY CO., LTD. AND SHALL NOT BE REPRODUCED, COPIED OR USED IN ANY MANNER WITHOUT THE PRIOR WRITTEN CONSENT OF XI BANG ELECTRONIC TECHNOLOGY CO., LTD.					APPD: GAO. PENG	DWG NO: XB-USB-C-2P-1125			
					CHKD: HE. LONG. FEI				
					Q'TY	DR: PANG. DONG	SCALE	SHEET	REV.
							1/1	1/2	A1