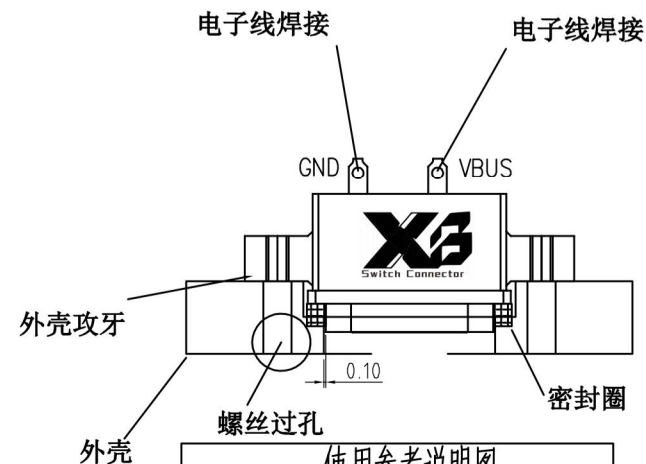
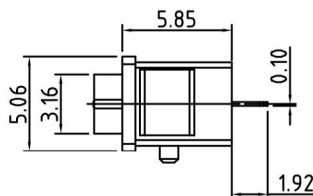
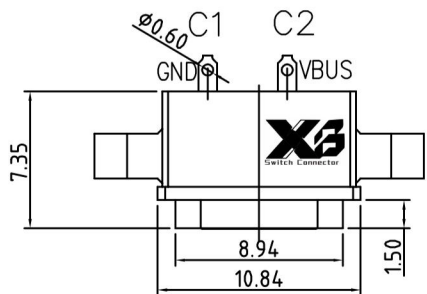


ROHS

REV.	ECN. NO.	APPD.



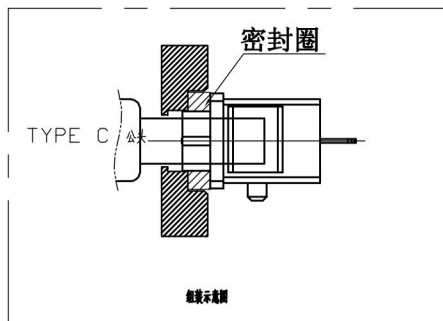
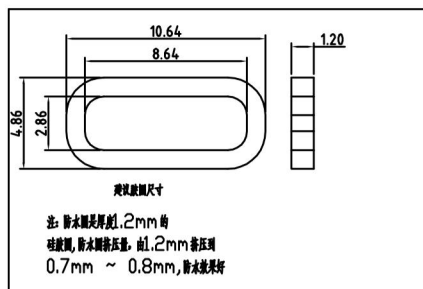
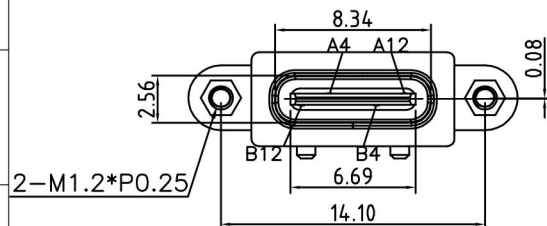
使用参考说明图
 无需PCB板, 可直接焊线
 螺丝由外往内锁 达到防水效果

INTERFACE(FRONT VIEW)

A1	A2	A3	A4	A5	A6	A7	A8	A9	A10	A11	A12
GND			VBUS						VBUS		GND
B12	B11	B10	B9	B8	B7	B6	B5	B4	B3	B2	B1

PIN ASSIGNMENT

PIN NO.	A12&B12	A4&B4
SINGAL NAME	GND	VBUS
PCB PAD NO.	C1	C2



NOTES:

SPECIFICATION:

- CURRENT RATING: 3.0A MAX
- DIELECTRIC WITHSTAND VOLTAGE: 100VAC
- TEMPERATURE RANGE: -30 °C ~ 85 °C
- CONTACT RESISTANCE: 40 MILLIONHM MAX
- INSULATION RESISTANCE: 100 MEGOHMS MIN.
- INSERTION FORCE : 5N~20N
- UNMATING FORCE: 8N~20N
- DURABILITY:5000 CYCLES

		1		
4	Shell1	1	SUS304 Ni Plating T=0.3mm	Ni40~120u ²
3	Housing2	1	LCP(G.F30%)	
2	Contact	4	Phosphor bronze_C5210R-EH Au/Ni Plating T=0.20mm	Ni40~160u ² Au CONTACT AREA:3x OTHER AREA:G/F
1	Housing	1	PA9T (G.F30%)	
ITEM	PARTNAME	Q'TY	FINISH	NOTE

X.	±0.50	X.°	± 2°	UNITS	mm
.X	±0.30	.X°	± 1°	MAT'L	
.XX	±0.10	.XX°	± 0.5°	FINISH	
.XXX	± 0.05			Q'TY	

XB 东莞市溪榜电子有限公司
 DONG GUAN XI BANG ELECTRONICS CO., LTD

PART NO. XB-USB-C-2P-1129-IPX7 TITLE: 2PIN 电子线焊接防水TYPEC

APPD: CHKD: MARK DWG NO: XB-USB-C-2P-1129-IPX7

DR:		SCALE	SHEET	REV.
		1/1	1/2	A1