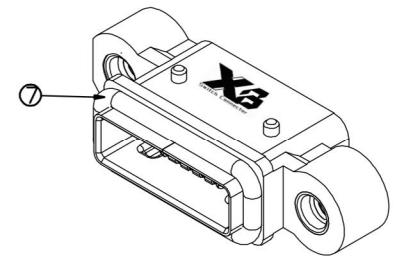
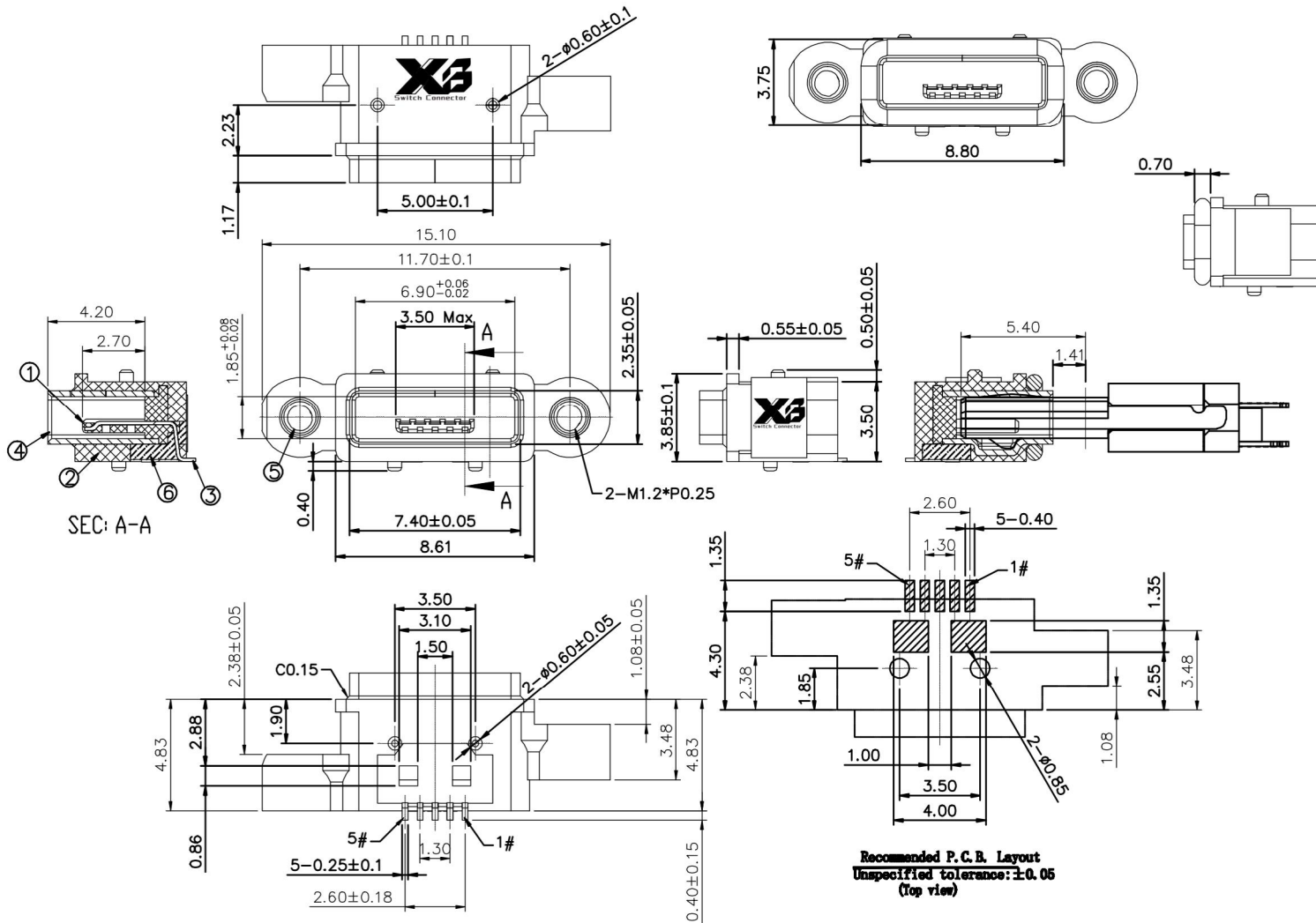


ROHS

| REVISIONS | | | | | | | |
|-----------|---------|----------|-------------|------|--------|---------|----------|
| REV. | ECN NO. | LOCATION | DESCRIPTION | DATE | DESIGN | CHECKED | APPROVED |
| X1 | | | | | | | |

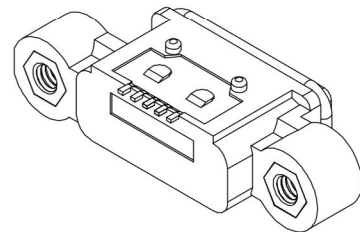


SPECIFICATION:

- Electrical characteristics
 - Current rating:
 - Signal (Pins 2, 3, 4): DC 1A
 - Power (Pins 1, 5): DC 1.8A
 - Voltage rating: AC 30V.
 - Contact resistance:
 - 30m Ω max (initial).
 - 50m Ω max (After Durability)
 - Insulation resistance:
 - 100M Ω min. at 500V DC.
 - Withstanding voltage:
 - 100V AC for 1 minute.
- Mechanical characteristics
 - Life test: 5000 cycles min.
 - Mating force: 35N Max, Unmating force: 8N (initial), 6N (after life test).
- Temperature range: -40°C ~ +80°C
- Dustproof and waterproof grade: IP67

Recommended P.C.B. Layout
Unspecified tolerance: ± 0.05
(Top view)

| Contact Number | Signal Name | Remarks |
|----------------|-------------|------------------|
| 1# | VBUS | Power |
| 2# | D- | Date- |
| 3# | D+ | Date+ |
| 4# | ID | Reserve or Gound |
| 5# | GND | Gound |



| NO. | DESCRIPTION | QTY | MATERIAL | REMARK |
|-----|-------------|-----|---------------------------------|------------------------------|
| ⑦ | Oval ring | 1 | Rubber | White |
| ⑥ | Glue | 1 | --- | Black |
| ⑤ | Screw | 2 | Brass | Nickel plated |
| ④ | Inner shell | 1 | Copper alloy or stainless steel | Nickel plated |
| ③ | Terminal | 5 | Copper alloy, 0.15t | Gold Plated On Contact Area. |
| ② | Outer shell | 1 | High temperature thermoplastic | Black |
| ① | Body | 1 | High temperature thermoplastic | Black |

| | | | |
|--|--|--|--------------------------------------|
| MEASURE POINT: (xx) QUADRANT POINT (QP) TANGENCY POINT (TP) INTERSECTION POINT (IP) | | 东莞市溪榜电子有限公司 DONG GUAN XI BANG ELECTRONICS CO., LTD | |
| UNLESS OTHERWISE SPECIFIED, TOLERANCE: X. ± 0.20 X.x ± 0.15 X.xx ± 0.10 X.xxx ± 0.05 ANGULAR $\pm 2'$ | DESIGN HE. LONG. FEI CHECKED HE. LONG. FEI APPROVED PANG. DONG | DATE 2009/02/19 DATE DATE | TITLE: MICRO USB ASSEMBLY DRAWING |
| PART NO. XB-USB-M-5P-1178M-IPX7 | REV.: X1 | SCALE: 1:1 | UNIT: mm |
| DRAWING | SIZE: A4 | SHEET: 1/1 | |