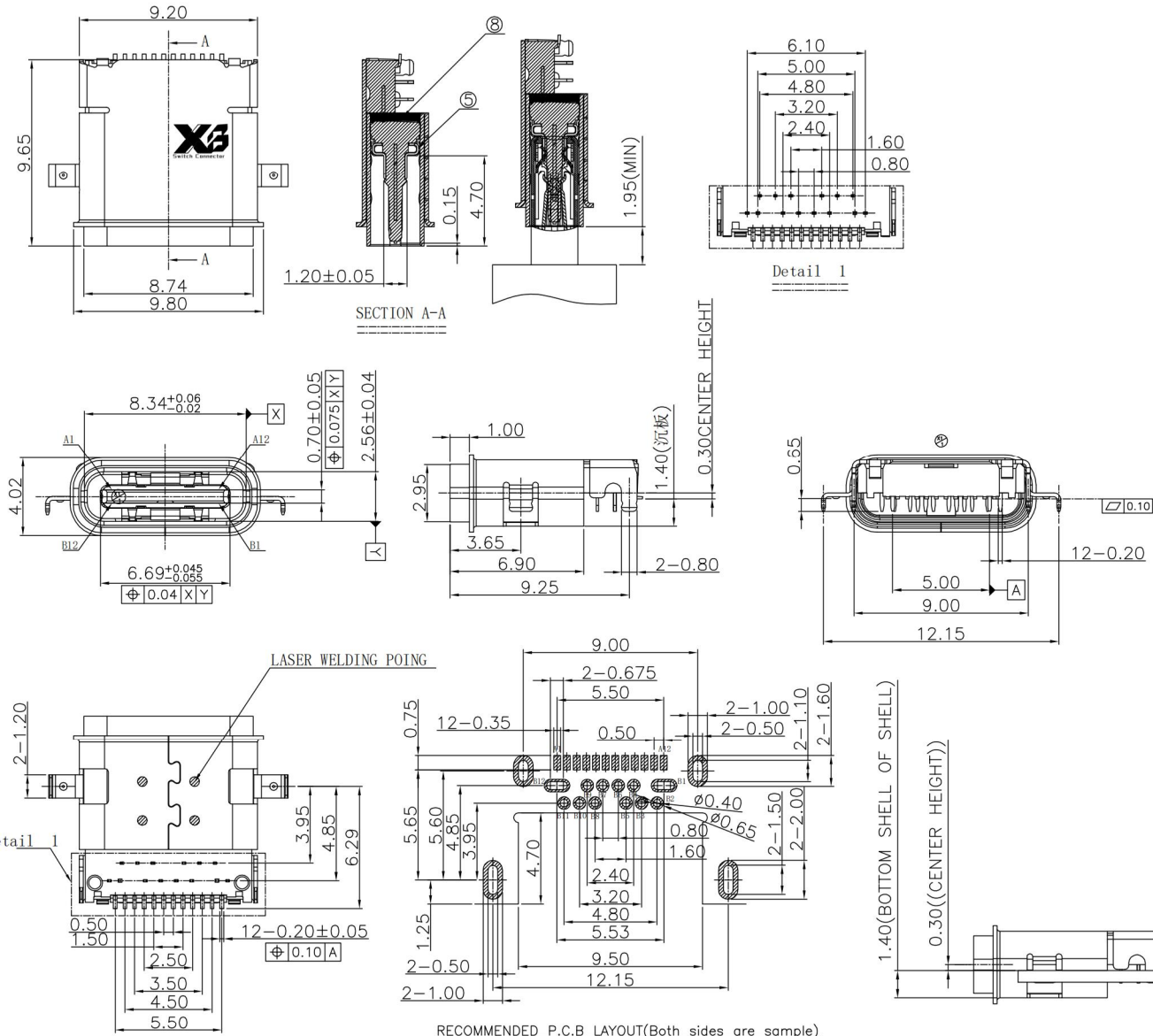


RoHS Compliant Halogen Free

CUSTOMER DRAWING



Pin	Signal Name	Mating Sequence	Pin	Signal Name	Mating Sequence
A1	GND	First	B12	GND	First
A2	SSTXp1	Second	B11	SSRXp1	Second
A3	SSTXn1	Second	B10	SSRXn1	Second
A4	Vms	First	B9	Vms	First
A5	CC1	Second	B8	SBU2	Second
A6	Dp1	Second	B7	Dn2	Second
A7	Dn1	Second	B6	Dp2	Second
A8	SBU1	Second	B5	CC2	Second
A9	Vms	First	B4	Vms	First
A10	SSRXn2	Second	B3	SSTXn2	Second
A11	SSRXp2	Second	B2	SSTXp2	Second
A12	GND	First	B1	GND	First
SHELL	GND		SHELL	GND	

NOTES:

- MATERIAL: SEE "TABLE 1";
- FINISH: SEE "TABLE 1";
- ELECTRICAL :
 - 3-1.CONTACT CURRENT RATING :
 - 5A(VBUS PIN 1.5A/PIN),
 - 5A(GND PIN 1.25A/PIN MAX),0.25A/PIN(OTHER PIN).
 - 3-2.INSULATION RESISTANCE :
 - 100 MEGAOHMS MIN. AT 250VDC.
 - 3-3.DIELECTRIC WITHSTANDING VOLTAGE :
 - 100VAC MIN.
 - 3-4.LOW LEVEL CONTACT RESISTANCE :
 - INITIAL 40mΩ MAX.
 - AFTER 50mΩ MAX.
- MECHANICAL CHARACTERISTICS :
 - 4-1. MATING FORCE: 5~20N;
 - 4-2. UNMATING FORCE: 8~20N(INITIAL),6~20N(AFTER 10000 CYCLES);
 - 4-3.DURABILITY : 10,000 MATING CYCLES.
 - 4-4.OPERATING TEMPERATURE :-40°C TO +80°C

TABLE 1:

NO.	PART NAME	QTY	MATERIAL	DESCRIPTION	REMARK
⑧	GLUE WATER	1	EPOXY	BLACK;	
⑦	Shell-2	1	Stainless steel	NI PLATING;	T=0.20mm
⑥	Shell-1	1	Stainless steel	NI PLATING;	T=0.20mm
⑤	GND PLATE	1	Stainless steel	NI PLATING;	T=0.10mm
④	MID PLATE	1	Stainless steel		T=0.15mm
③	Terminal-B	12	铜镍硅合金	Au:15u" PLATING;	T=0.12mm
②	Terminal-A	12	铜镍硅合金	Au:15u" PLATING;	T=0.12mm
①	Housing	1	HIGH TEMP	Black	

UNLESS OTHERWISE, GENERAL TOLERANCE:
 X.xxx ±0.10
 X.xx ±0.20
 X.x ±0.30
 X. ±0.38
 ANGULAR:
 X.xx ±1°
 X.x ±3°
 X. ±5°

东莞市溪榜电子有限公司
DONG GUAN XI BANG ELECTRONICS CO., LTD

TITLE: USB 3.1 CF WATERPROOF
 CL=0.30 沉板1.40mm DIP TYPE
 客户图

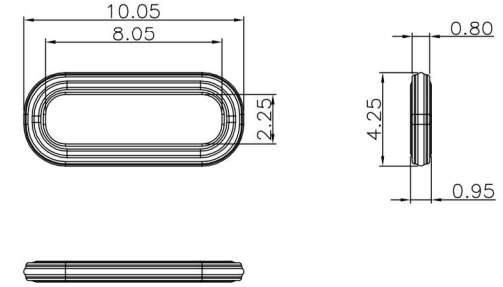
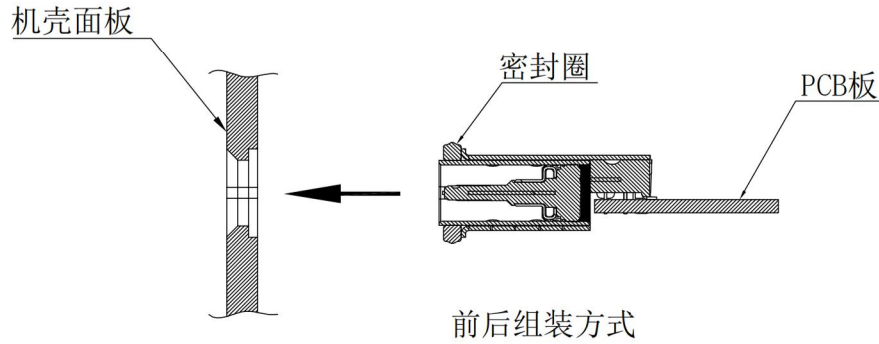
P/N: XB-USB-C-24P-1110-IPX7
 MODEL:
 DRAW NO.: _____

THIRD ANGLE PROJECTION

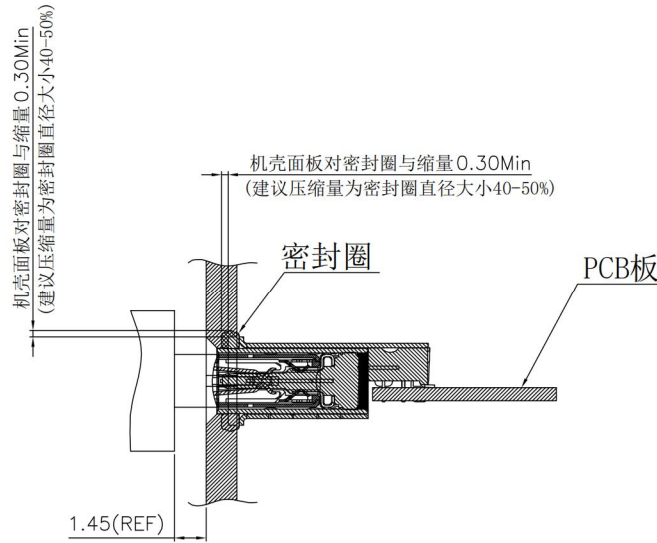
UNIT: mm
 SCALE: 1:1
 SIZE: A4
 SHEET: 1/2

ECN NO.	REV.	DESCRIPTION	DATE	CHANGE	APPROVAL	DATE	NAME
EZ2019-054		PCN设计变更	2019.05.17		DESIGN	2019.05.17	GAO. PENG
EZ2017-048	X1	随工程图上升版次	2017.06.05		CHECK	2019.05.17	HE. LONG. FEI
20161107001	X	NEW DRAWING	2017.02.25		APPROVAL	2019.05.17	PANG. DONG

建议密封方式



建议防水圈规格（材质硅橡胶）



组装面板后公母头对插示意图



UNLESS OTHERWISE,
GENERAL TOLERANCE:

X.xxx ±0.10
X.xx ±0.20
X.x ±0.30
X. ±0.38

ANGULAR:

X.xx ±1°
X.x ±3°
X. ±5°



东莞市溪榜电子有限公司
DONG GUAN XI BANG ELECTRONICS CO., LTD

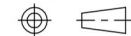
TITLE:
USB 3.1 CF WATERPROOF
CL=0.30 沉板1.40mm DIP TYPE
客户图

P/N: XB-USB-C-24P-1110-IPX7

MODEL:

DRAW NO.:

THIRD ANGLE PROJECTION



UNIT:

mm

SCALE:

1:1

SIZE:

A4

SHEET:

2/2

					DESIGN	MARK	2017.06.05	GAO. PENG
EZ-048	X1	随工程图上升版次	2017.06.05	Bin	CHECK	RADOM	2017.06.05	HE. LONG. FEI
20161107001	X	NEW DRAWING	2017.02.25	Bin	APPROVAL	WUJU	2017.06.05	PANG. DONG
ECN NO.	REV.	DESCRIPTION	DATE	CHANGE				