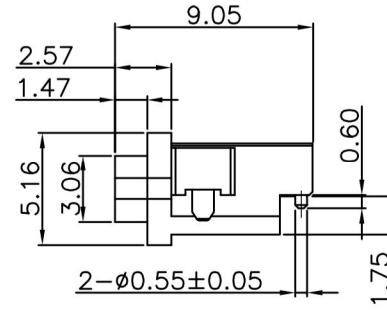
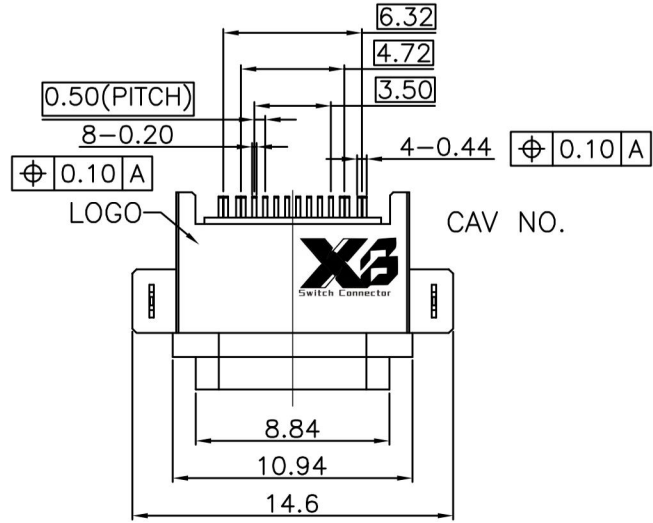


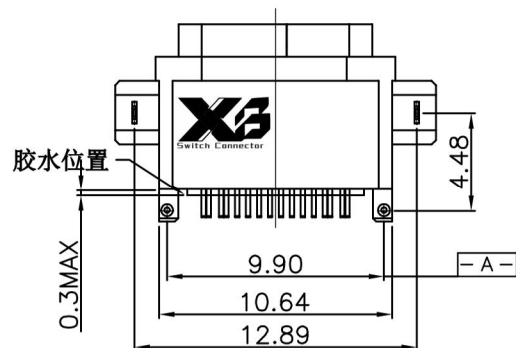
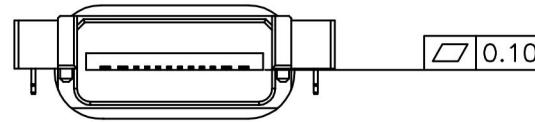
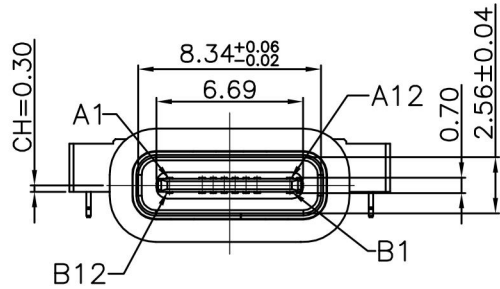
ROHS

REV.	ECN. NO.	APPD.



NOTES:
SPECIFICATION:

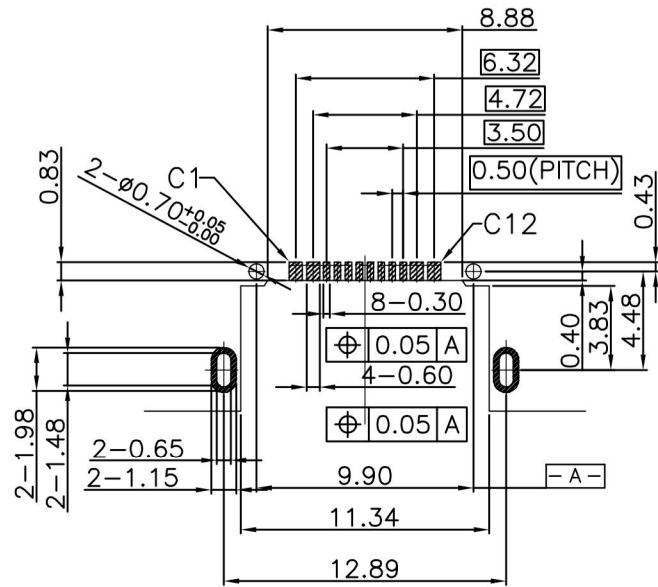
1. CURRENT RATING: 3.0A MAX
2. DIELECTRIC WITHSTAND VOLTAGE: 100VAC
3. TEMPERATURE RANGE: -30 °C ~ 85 °C
4. CONTACT RESISTANCE: 40 MILLIONHM MAX
5. INSULATION RESISTANCE: 100 MEGOHMS MIN.
6. INSERTION FORCE : 5N~20N
7. UNMATING FORCE: 8N~20N
8. DURABILITY:10,000 CYCLES



4	Shell2	1	SUS304 Ni Plating T=0.20mm	Ni:40~120u''
3	Shell	1	PA9T(G.F30%)	
2	Contact	5	Copper alloy C7025 Au/Ni Plating Au:1u'' Ni:50~80u'' Contact area: Au=3u''	T=0.15mm
1	Housing	1	PA9T(G.F30%)	
ITEM	PART NAME	Q'TY	FINISH	NOTE
X.	±0.50	X.*	± 2°	东莞市溪榜电子有限公司 DONG GUAN XI BANG ELECTRONICS CO., LTD
.X	±0.30	.X*	± 1°	
.XX	±0.10	.XX*	± 0.5°	
.XXX	±0.05			
THESE DRAWINGS AND SPECIFICATIONS ARE THE PROPERTY OF XI BANG ELECTRONIC TECHNOLOGY CO., LTD. AND SHALL NOT BE REPRODUCED, COPIED OR USED IN ANY MANNER WITHOUT THE PRIOR WRITTEN CONSENT OF XI BANG ELECTRONIC TECHNOLOGY CO., LTD			FINISH	PART NO. XB-USB-C-16P-1121-IPX7
			APPD:	TITLE: TYPE C 2.0 16Pin SMT Type
			CHKD:	DWG NO: XB-USB-C-16P-1121-IPX7
			DR:	SCALE SHEET REV. 1/1 1/2 A2

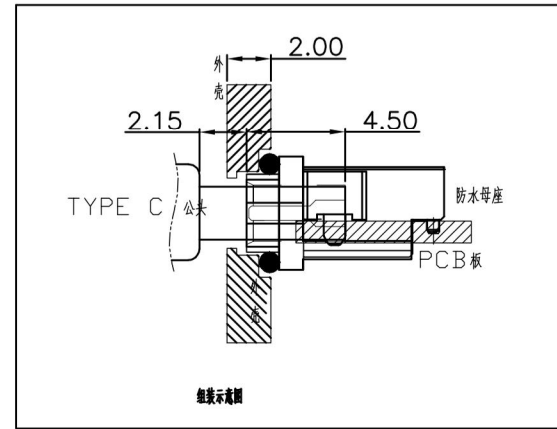
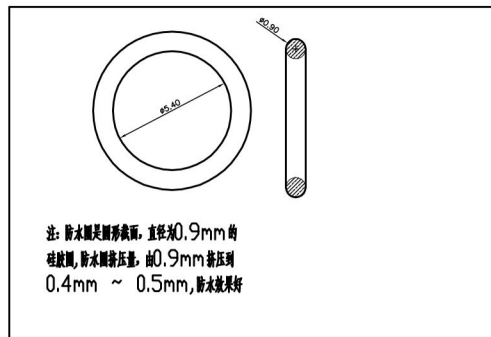
ROHS

REV.	ECN. NO.	APPD.



RECOMMENDED PCB LAYOUT(TOP VIEW)

THICKNESS T=1.0mm
DEFAULT TOLERANCE+/-0.05



INTERFACE(FRONT VIEW)

A1	A2	A3	A4	A5	A6	A7	A8	A9	A10	A11	A12
GND			VBUS	CC1	DP1	DN1	SBU1	VBUS			GND
GND			VBUS	SBU2	DN2	DP2	CC2	VBUS			GND
B12	B11	B10	B9	B8	B7	B6	B5	B4	B3	B2	B1

PIN ASSIGNMENT

PIN NO.	A1&B12	A4&B9	B8	A5	B7	A6	A7	B6	A8	B5	A9&B4	A12&B1
SINGAL NAME	GND	VBUS	SBU2	CC1	DN2	DP1	DN1	DP2	SBU1	CC2	VBUS	GND
PCB PAD NO.	C1	C2	C3	C4	C5	C6	C7	C8	C9	C10	C11	C12

X.	±0.50	X.*	± 2°	UNITS	mm	 东莞市溪榜电子有限公司 DONG GUAN XI BANG ELECTRONICS CO., LTD
.X	±0.30	.X.*	± 1°			
.XX	±0.10	.XX.*	± 0.5°	MAT'L		PART NO. XB-USB-C-16P-1121-IPX7
.XXX	± 0.05					TITLE: TYPE C 2.0 16Pin SMT Type
THESE DRAWINGS AND SPECIFICATIONS ARE THE PROPERTY OF XI BANG ELECTRONIC TECHNOLOGY CO., LTD. AND SHALL NOT BE REPRODUCED, COPIED OR USED IN ANY MANNER WITHOUT THE PRIOR WRITTEN CONSENT OF XI BANG ELECTRONIC TECHNOLOGY CO., LTD.				FINISH		APPD: GAO. PENG
				Q'TY		CHKD: HE. LONG. FEI
						DR: PANG. DONG
				 SCALE SHEET REV. 1/1 2/2 A2		