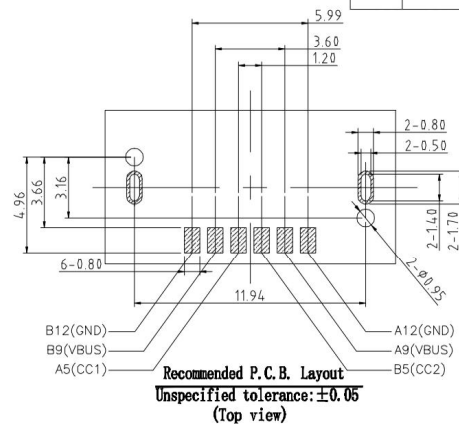
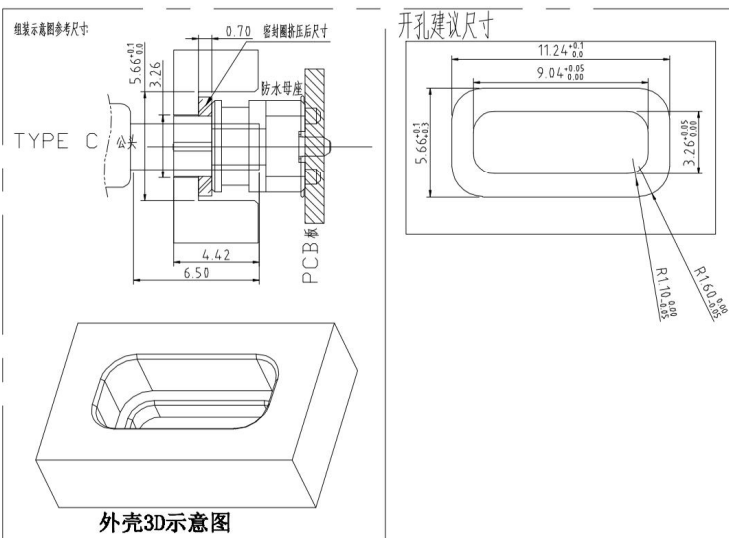
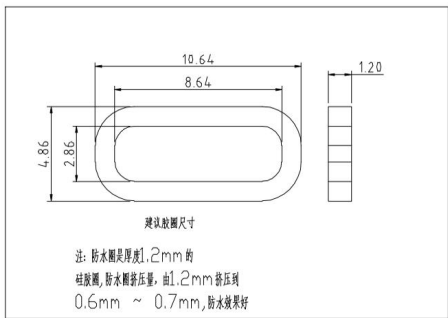
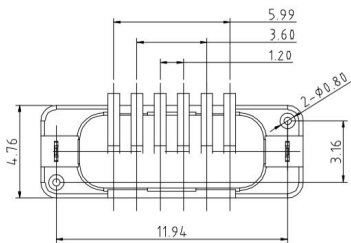
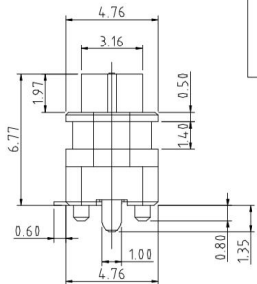
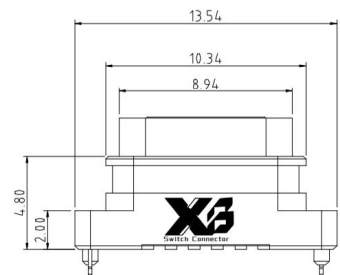
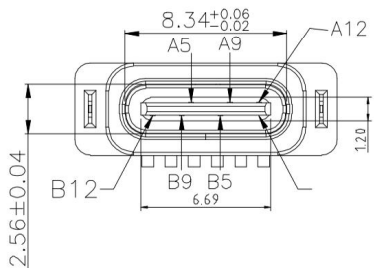


ROHS

由 Autodesk 教育版产品制作

REV.	ECN. NO.	APPD.



RECOMMENDED PCB LAYOUT(TOP VIEW)

THICKNESS T=1.0mm
DEFAULT TOLERANCE+/-0.05



NOTES:

SPECIFICATION:

1. CURRENT RATING: 3.0A MAX
2. DIELECTRIC WITHSTAND VOLTAGE: 100VAC
3. TEMPERATURE RANGE: -30 °C ~ 85 °C
4. CONTACT RESISTANCE: 40 MILLIONHM MAX
5. INSULATION RESISTANCE: 100 MEGOHMS MIN.
6. INSERTION FORCE : 5N~20N
7. UNMATING FORCE: 8N~20N
8. DURABILITY:5000 CYCLES

4	Shell1	1	SUS304 Ni Plating T=0.25mm	Ni:40~120u ² ;
3	Housing2	1	LCP(G.F30%)	
2	Contact	5	Phosphor bronze C5210R-EH Au/Ni Plating T=0.20mm	Ni:40~160u ² ; Au:CONTACT AREA:3u ² ; OTHER AREA:G/F
1	Housing	1	PA9T (G.F30%)	
ITEM	PARTNAME	Q'TY	FINISH	NOTE

X.	±0.50	X.*	± 2°
.X	±0.30	.X*	± 1°
.XX	±0.10	.XX*	± 0.5°
.XXX	± 0.05		

UNITS	mm
MAT'L	/
FINISH	/
Q'TY	/

东莞市溪榜电子有限公司 DONG GUAN XI BANG ELECTRONICS CO., LTD		PART NO. XB-USB-C-6P-1143-6PIN-F-IPX7		TITLE: TYPE C 6Pin SMT 立式带定位柱	
APPD: GAO. PENG		DWG NO.: XB-USB-C-6P-1143-6PIN-F-IPX7		SCALE SHEET REV. 1/1 1/2 A1	
CHKD: HE. LONG. FEI		DR: PANG. DONG			

A5	CC1	B12	GND
A9	VBUS	B9	VBUS
A12	GND	B5	CC2
PIN	SIGNAL NAME	PIN	SIGNAL NAME

由 Autodesk 教育版产品制作