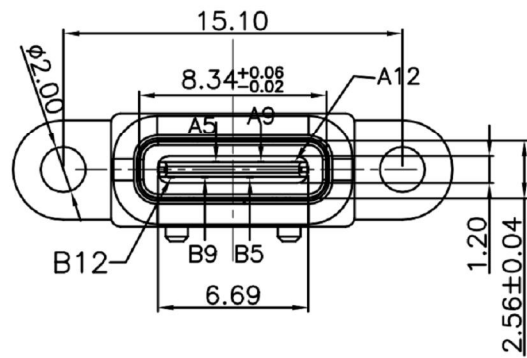
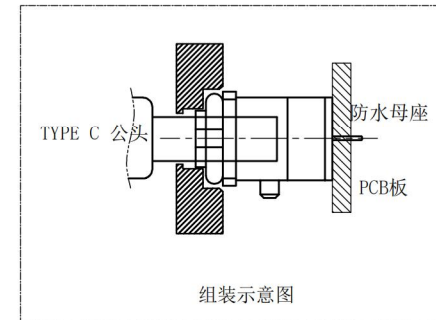
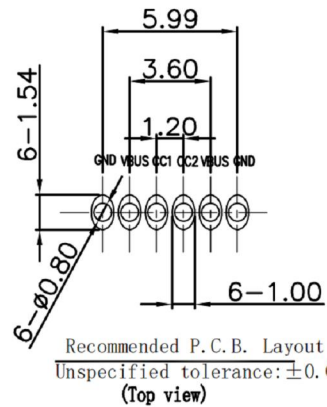
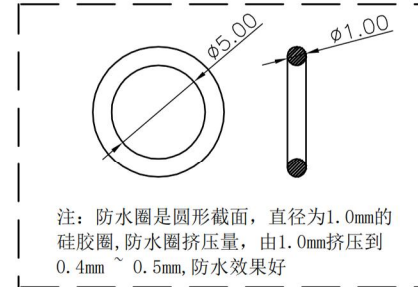
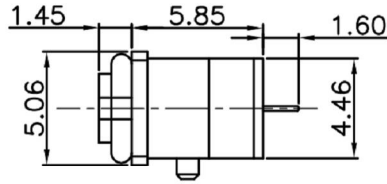
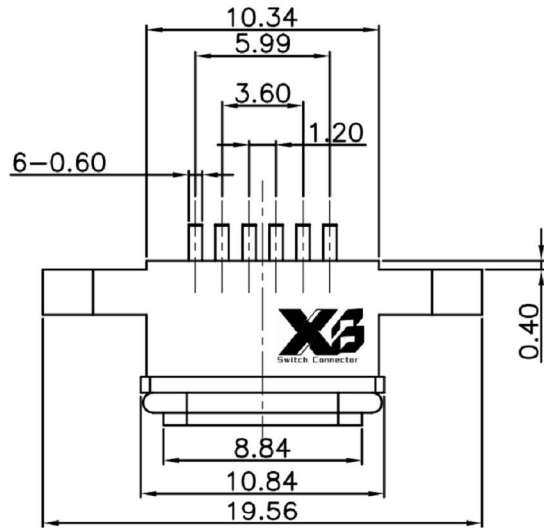


# ROHS

REV.	ECN. NO.	APPD.



### RECOMMENDED PCB LAYOUT(TOP VIEW)

THICKNESS T=1.0mm  
DEFAULT TOLERANCE+/-0.05

#### NOTES:

#### SPECIFICATION:

- CURRENT RATING: 3.0A MAX
- DIELECTRIC WITHSTAND VOLTAGE: 100VAC
- TEMPERATURE RANGE: -30 °C ~ 85 °C
- CONTACT RESISTANCE: 40 MILLIONHM MAX
- INSULATION RESISTANCE: 100 MEGOHMS MIN.
- INSERTION FORCE : 5N~20N
- UNMATING FORCE: 8N~20N
- DURABILITY:5000 CYCLES

A5	CC1	B12	GND
A9	VBUS	B9	VBUS
A12	GND	B5	CC2
PIN	SIGNAL NAME	PIN	SIGNAL NAME

4	Shell1	1	SUS301 Ni Plating T=0.25mm	Ni:40~120u";
3	Housing2	1	LCP(G.F30%)	
2	Contact	5	Phosphor bronze C5210R-EH Au/Ni Plating T=0.20mm	Ni:40~160u"; Au:CONTACT AREA:3u", OTHER AREA:G/F
1	Housing	1	PA9T (G.F30%)	
ITEM	PART NAME	Q' TY	FINISH	NOTE

X.	±0.50	X.°	± 2°	UNITS	mm
.X	±0.30	.X°	± 1°		
.XX	±0.10	.XX°	± 0.5°	MAT' L	/
.XXX	± 0.05			FINISH	/
				Q' TY	/

**XB** 东莞市溪榜电子有限公司  
DONG GUAN XI BANG ELECTRONICS CO., LTD

PART NO.	XB-USB-C-6P-1108-IPX7	TITLE:	TYPE C 6Pin 带防水 立式插件
APPD:	GAO. PENG	DWG NO.:	XB-USB-C-6P-1108-IPX7
CHKD:	HE. LONG. FEI	SCALE	1/1
DR:	PANG. DONG	SHEET	1/2
		REV.	A1